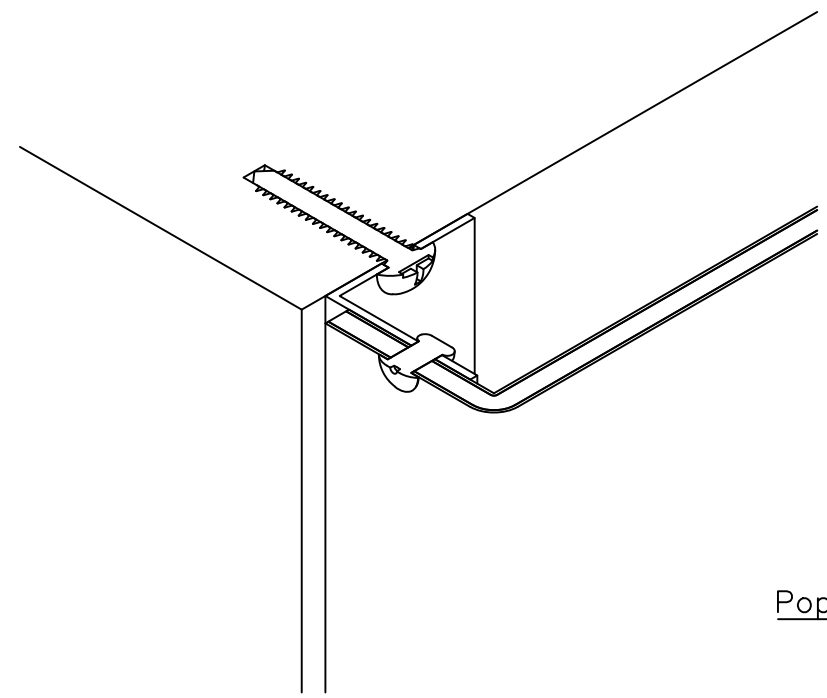


ALPOLIC NC
RAB

9 EDGE DETAIL



Pop Rivet / Flat 10x16 Galvanised 10

4mm Alpolyc NC 1

Self Tapping / Self Drilling Screw 8

Angle Bracket

Engineer to review & approve for project.
Drawings do not supercede engineering detail.



CONCEALED CASSETTE SYSTEM

Project	Alpolyc Installation Drawings
Drawing Title	Edge Detail
Drafting by	Network Architectural