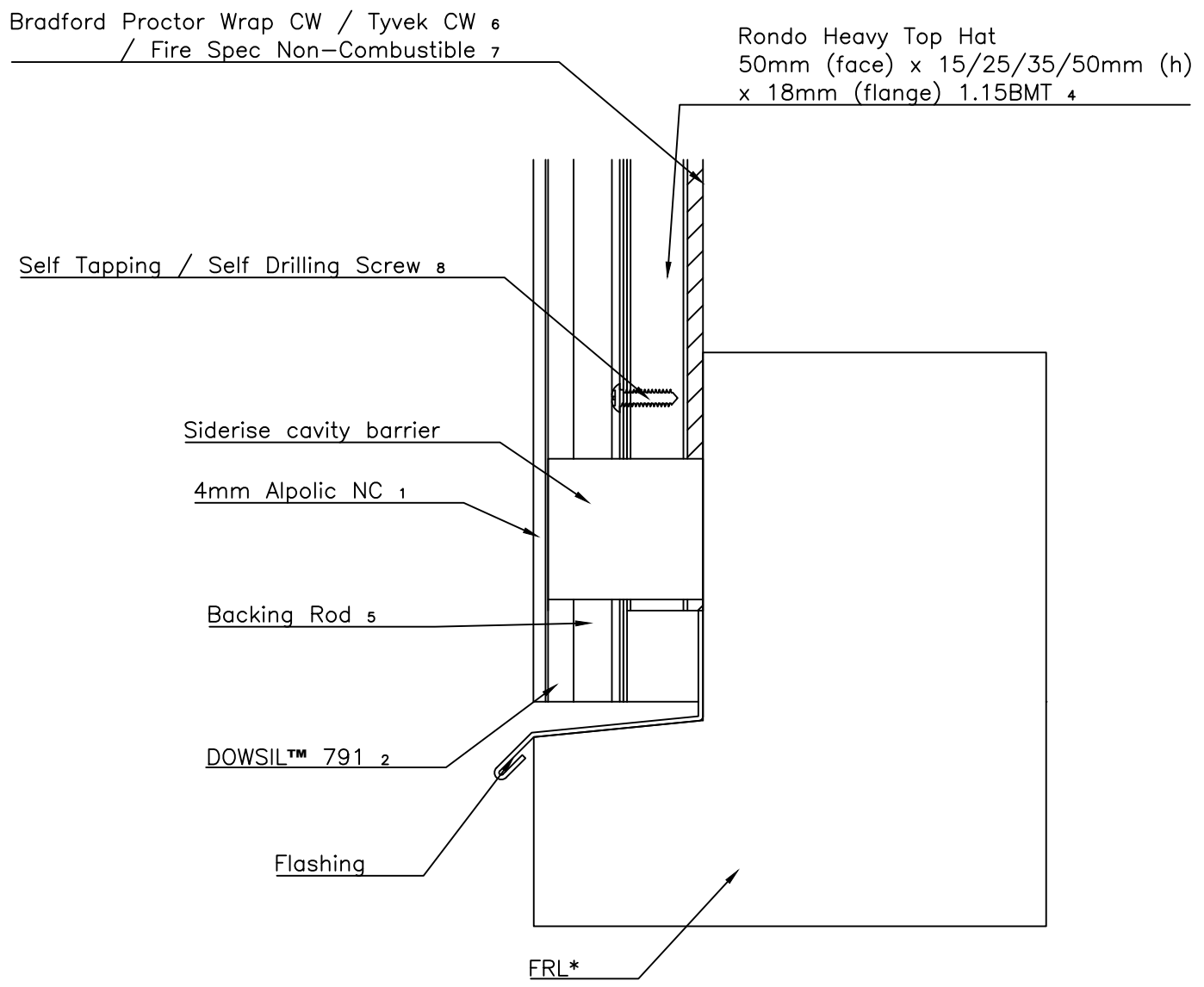
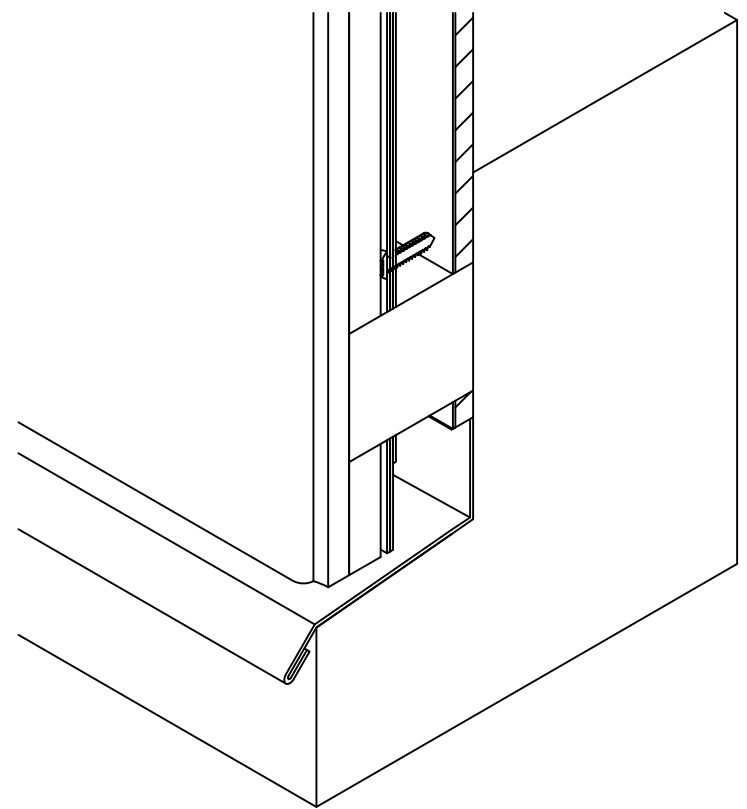


ALPOLIC NC
w/ sarking

8 BASE DETAIL



*FRL to be nominated by engineer.

Engineer to review & approve for project.
Drawings do not supercede engineering detail.

CONCEALED CASSETTE SYSTEM	Project Alpolic Installation Drawings
	Drawing Title Base Detail
	Drafting by Network Architectural