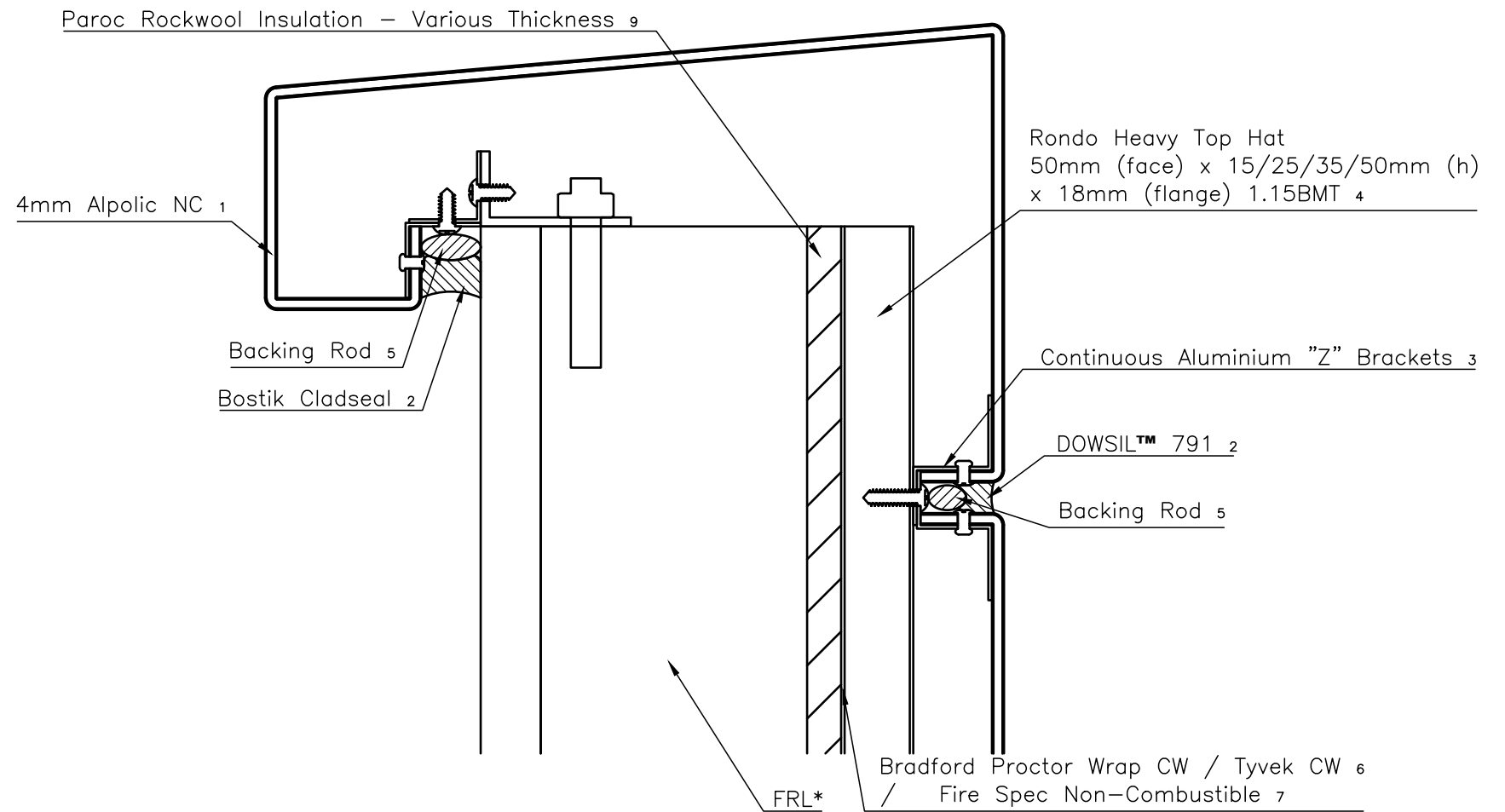
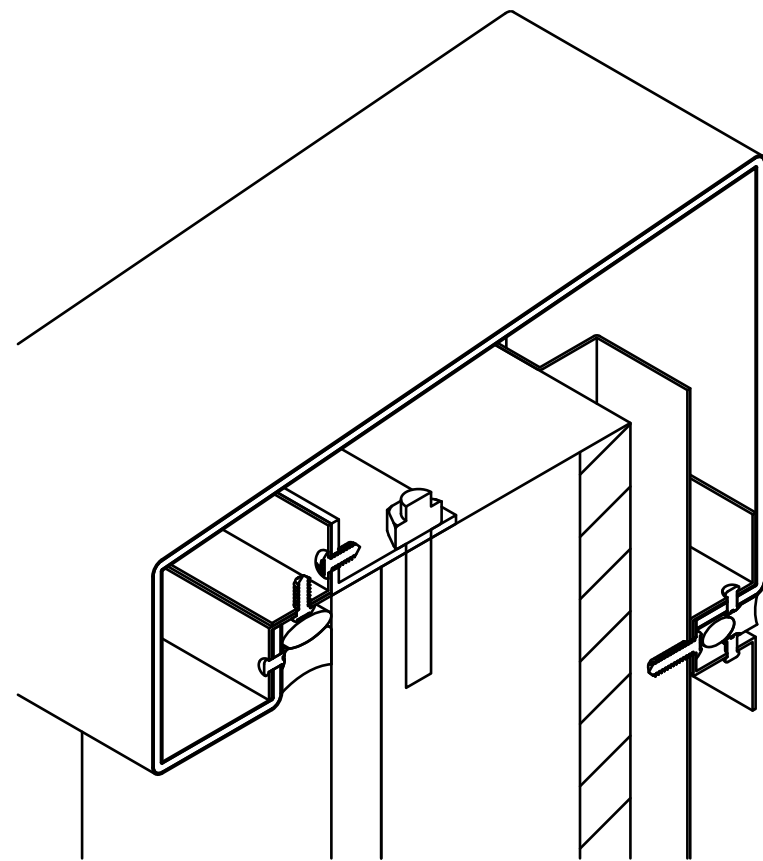


7 PARAPET/CAPPING DETAIL

ALPOLIC NC
w/ sarking



*FRL to be nominated by engineer.

Engineer to review & approve for project.
Drawings do not supercede engineering detail.



**CONCEALED
CASSETTE
SYSTEM**

Project	Alpolic Installation Drawings
Drawing Title	Parapet/Capping Detail
Drafting by	Network Architectural