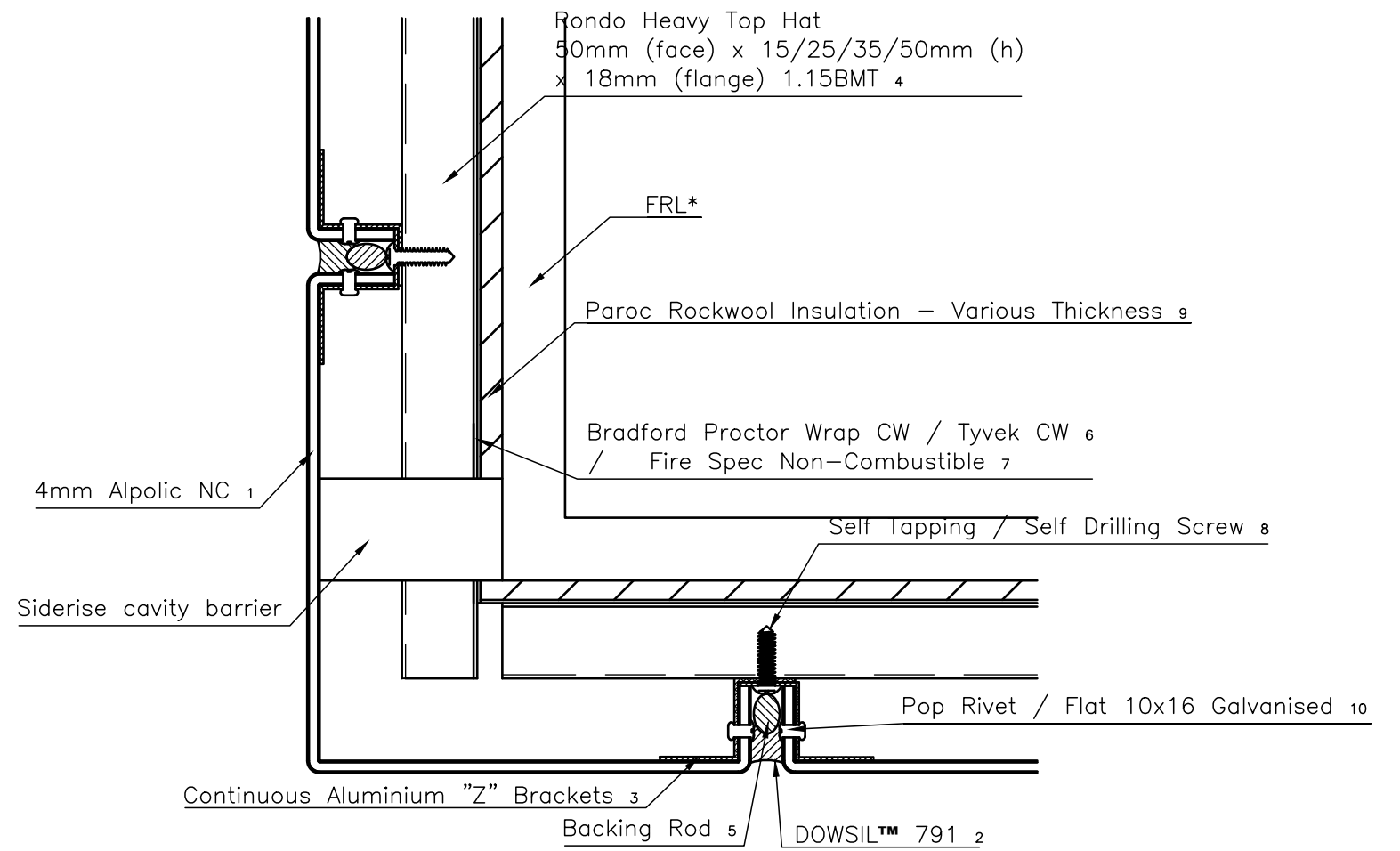
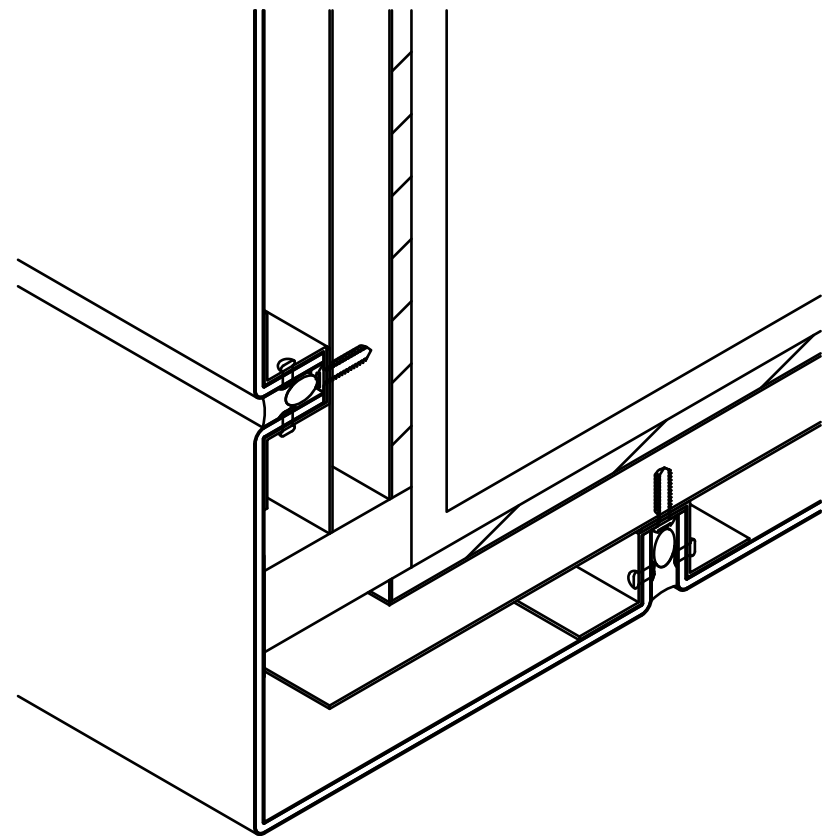


ALPOLIC NC
w/ sarking

6 SOFFIT DETAIL



*FRL to be nominated by engineer.

Engineer to review & approve for project.
Drawings do not supercede engineering detail.

CONCEALED CASSETTE SYSTEM	Project Alpolic Installation Drawings
	Drawing Title Soffit Detail
	Drafting by Network Architectural