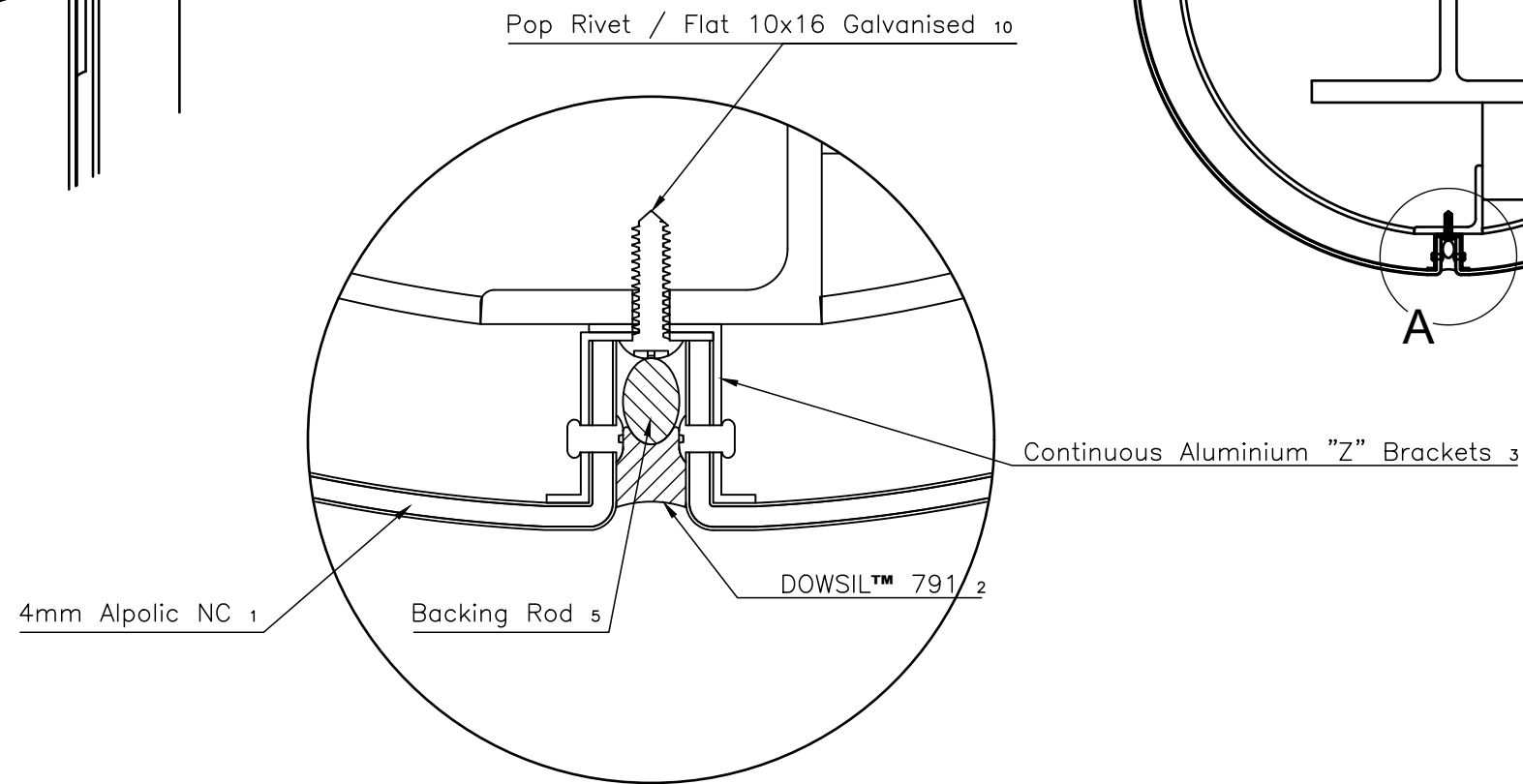
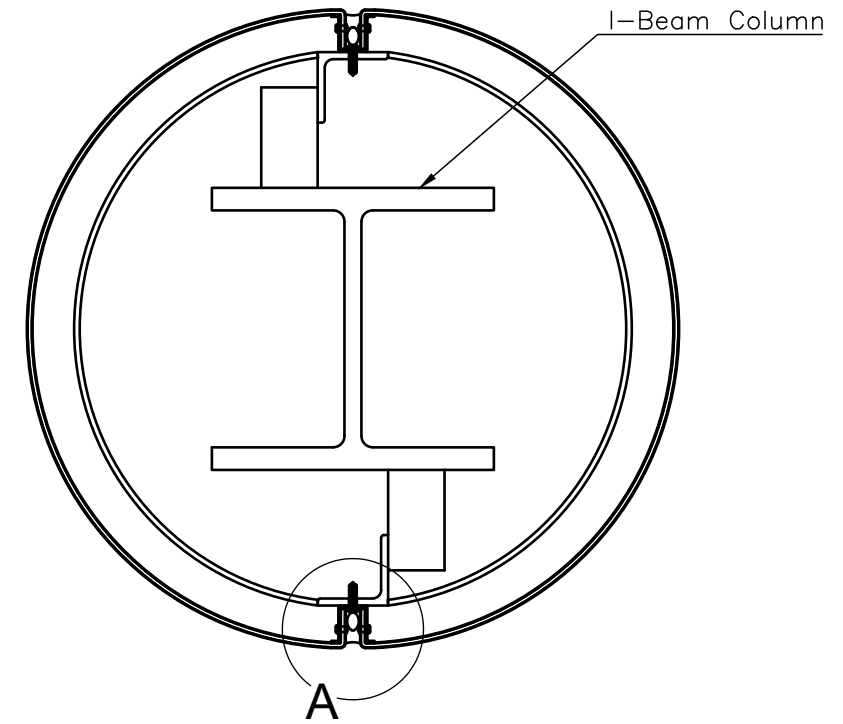
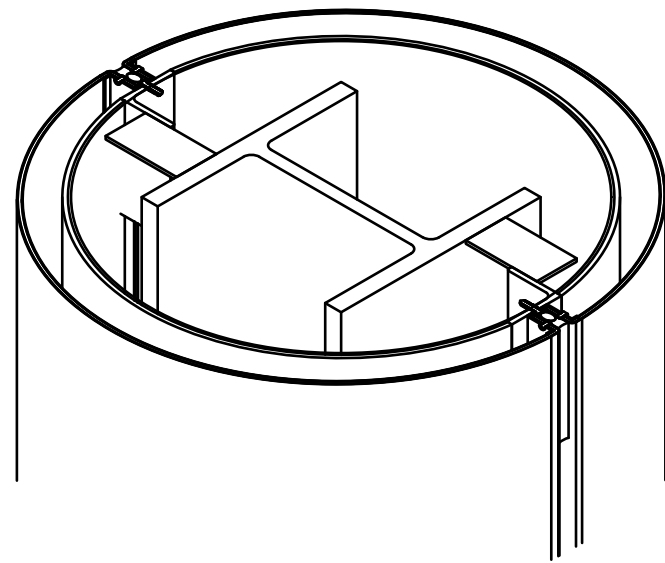


ALPOLIC NC

5 ROUND COLUMN DETAIL



DETAIL-A

Engineer to review & approve for project.
Drawings do not supercede engineering detail.



CONCEALED CASSETTE SYSTEM	Project Alpolic Installation Drawings
	Drawing Title Round Column Detail
	Drafting by Network Architectural