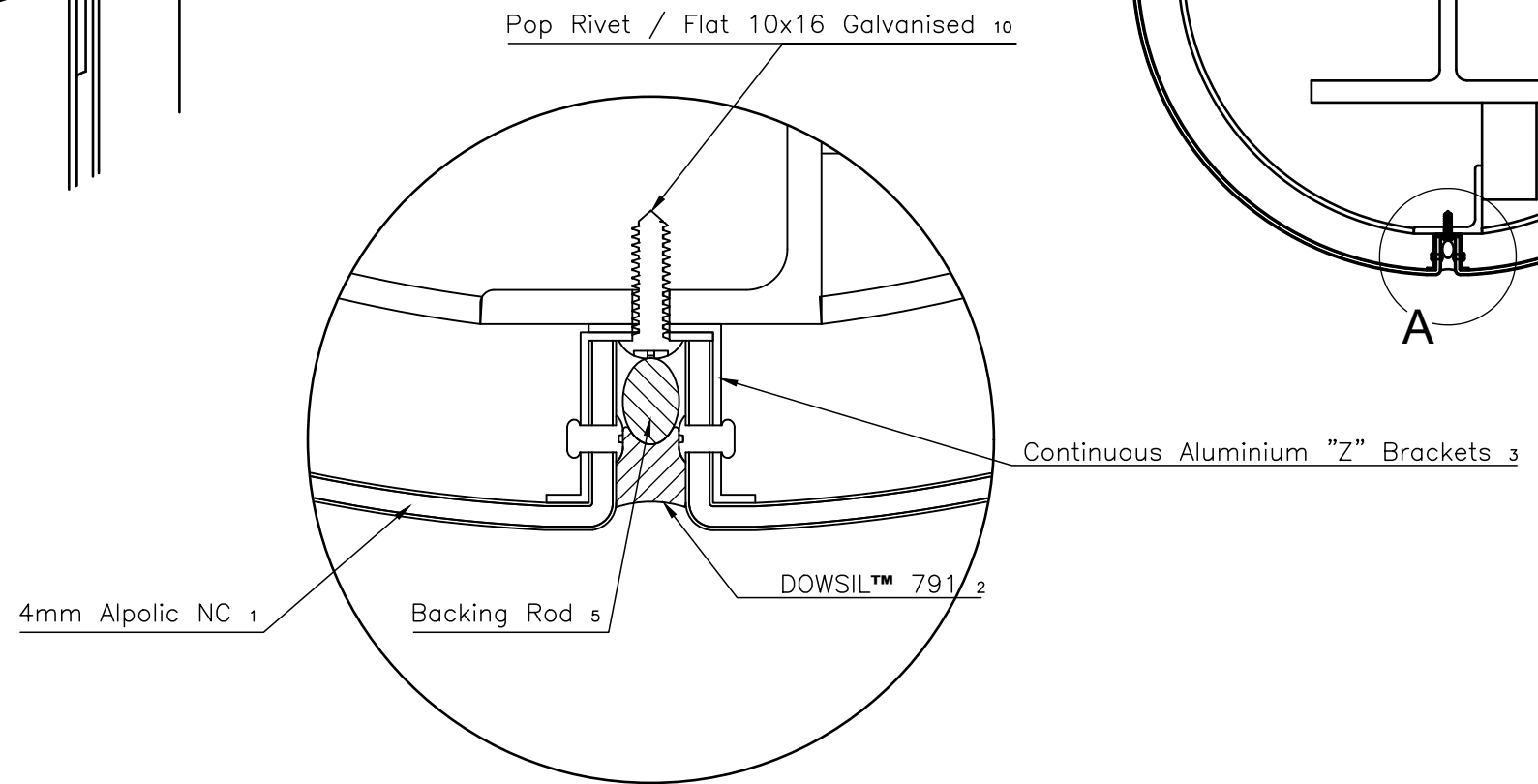
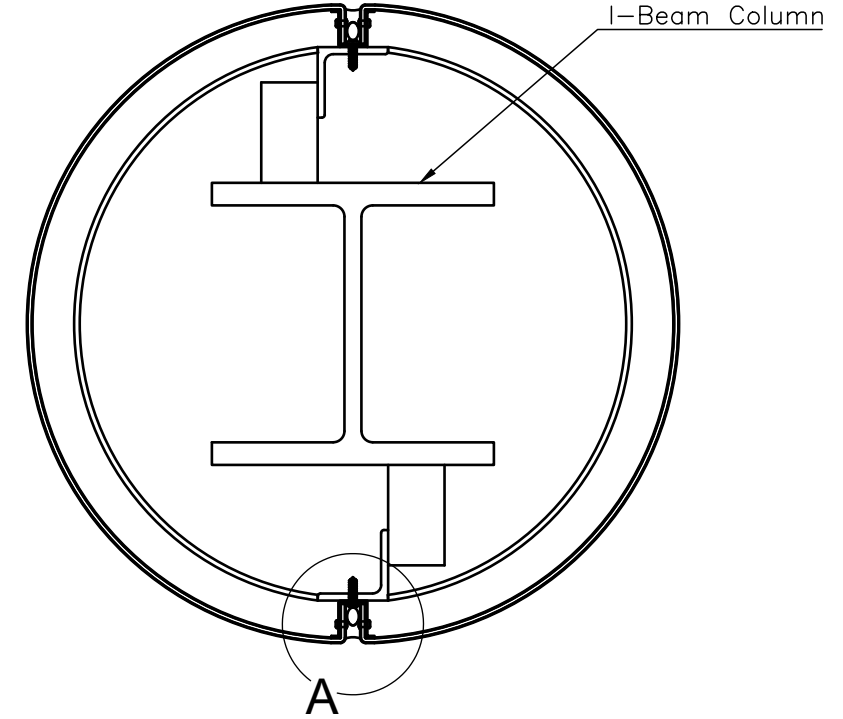
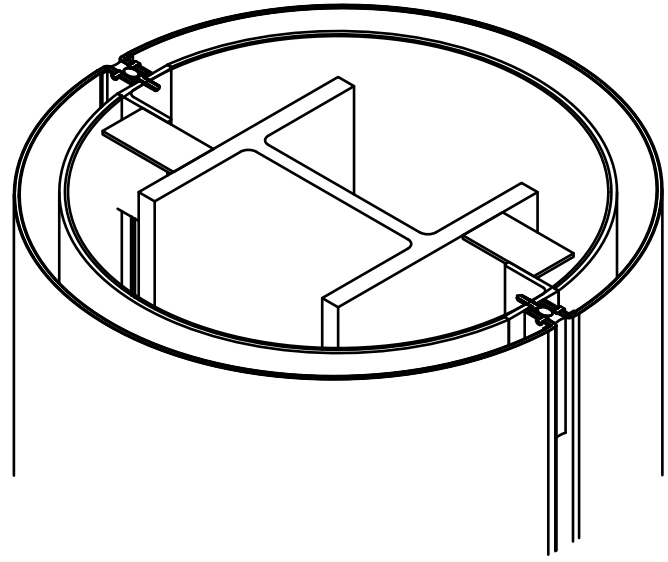


ALPOLIC NC
RAB

5 ROUND COLUMN DETAIL



DETAIL-A

Engineer to review & approve for project.
Drawings do not supercede engineering detail.



CONCEALED CASSETTE SYSTEM

Project	Alpolic Installation Drawings
Drawing Title	Round Column Detail
Drafting by	Network Architectural