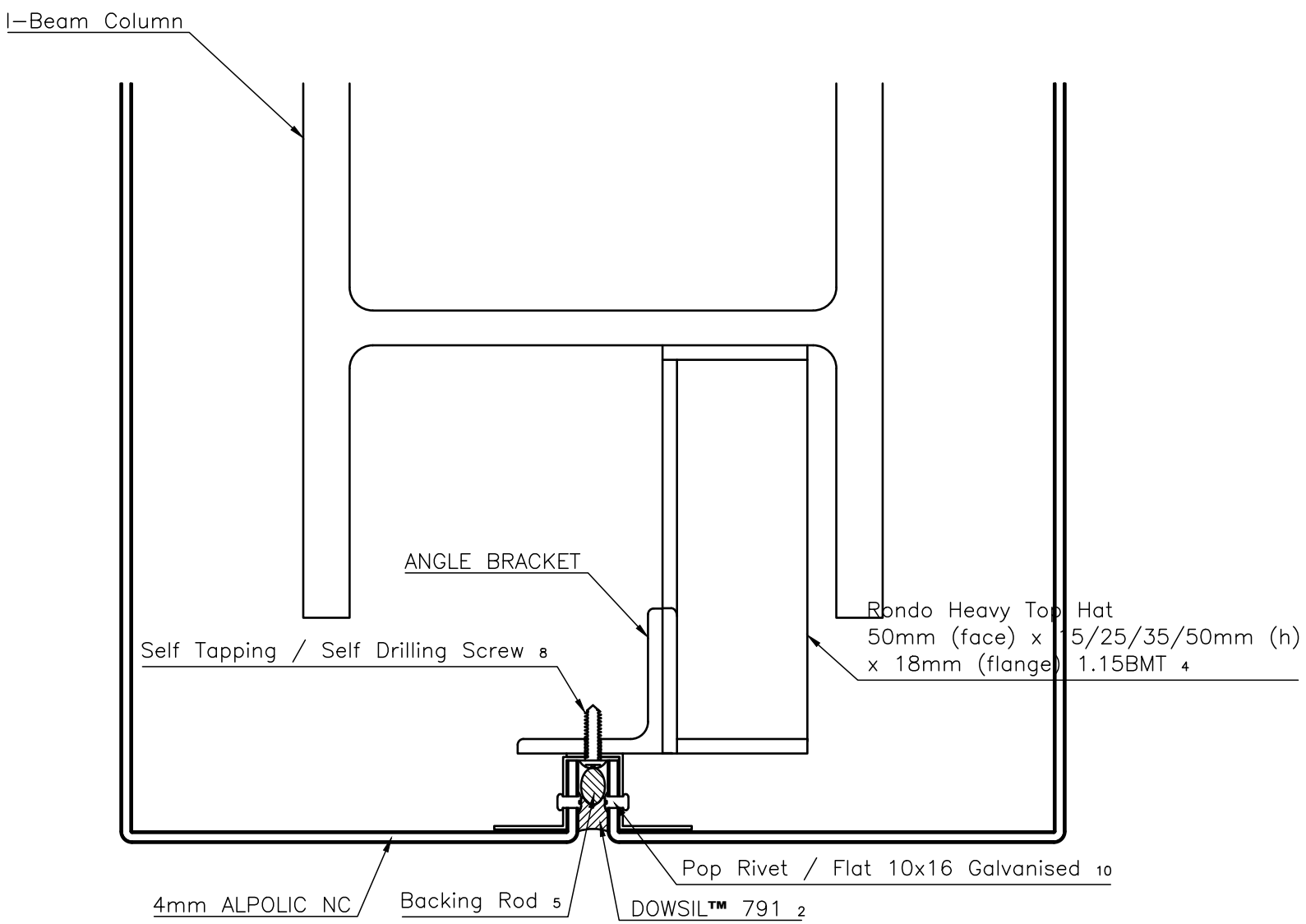
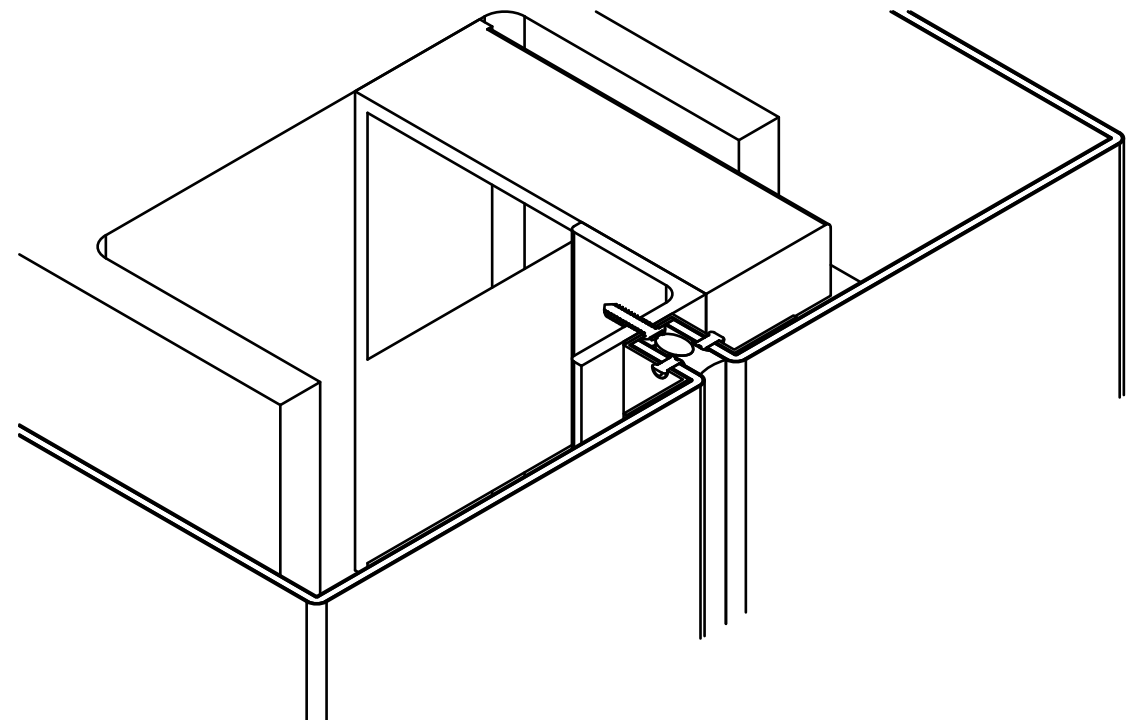


ALPOLIC NC

4 SQUARE COLUMN DETAIL



Engineer to review & approve for project.
Drawings do not supercede engineering detail.



CONCEALED CASSETTE SYSTEM	Project Alpolic Installation Drawings
	Drawing Title Square Column Detail
	Drafting by Network Architectural