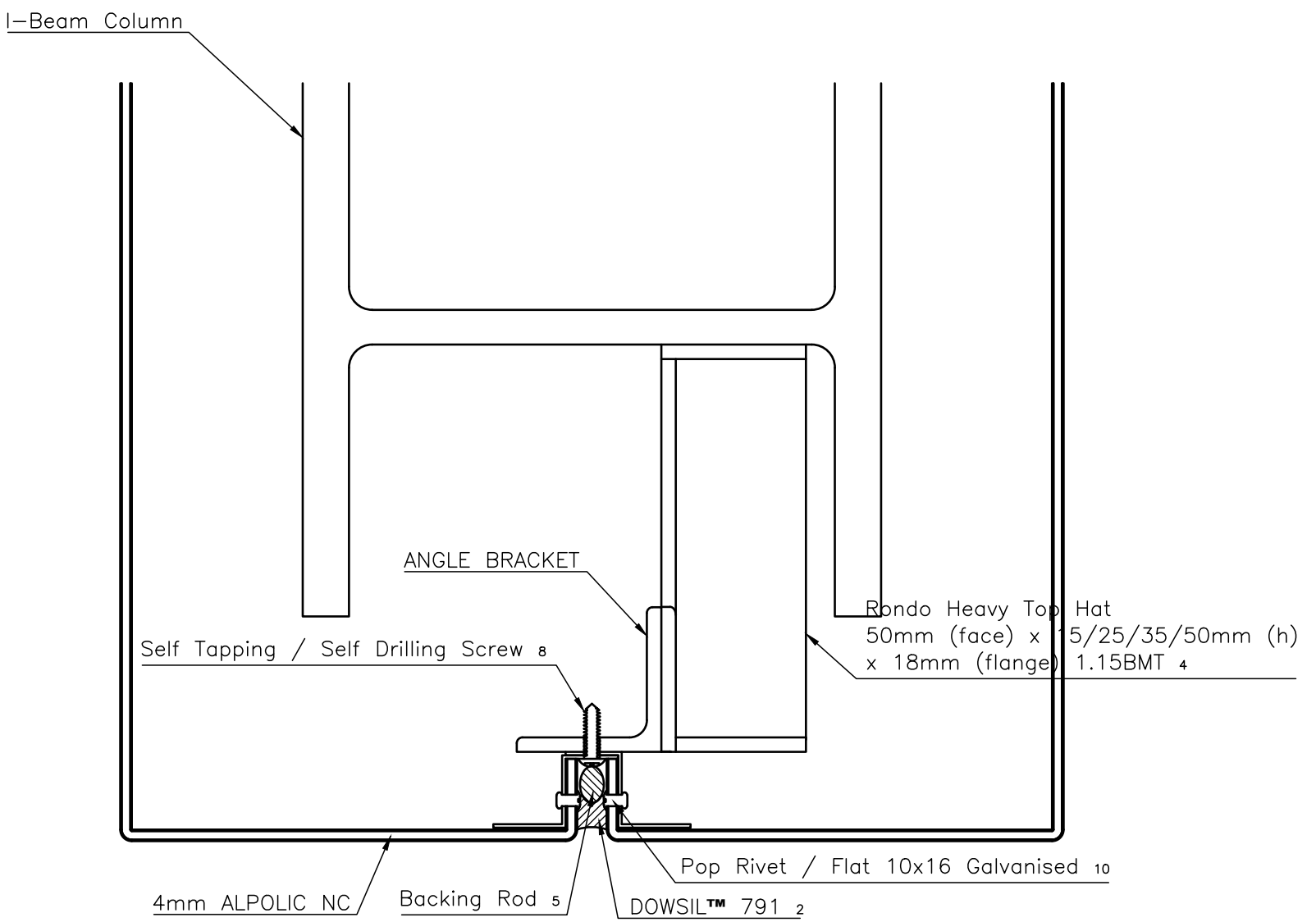
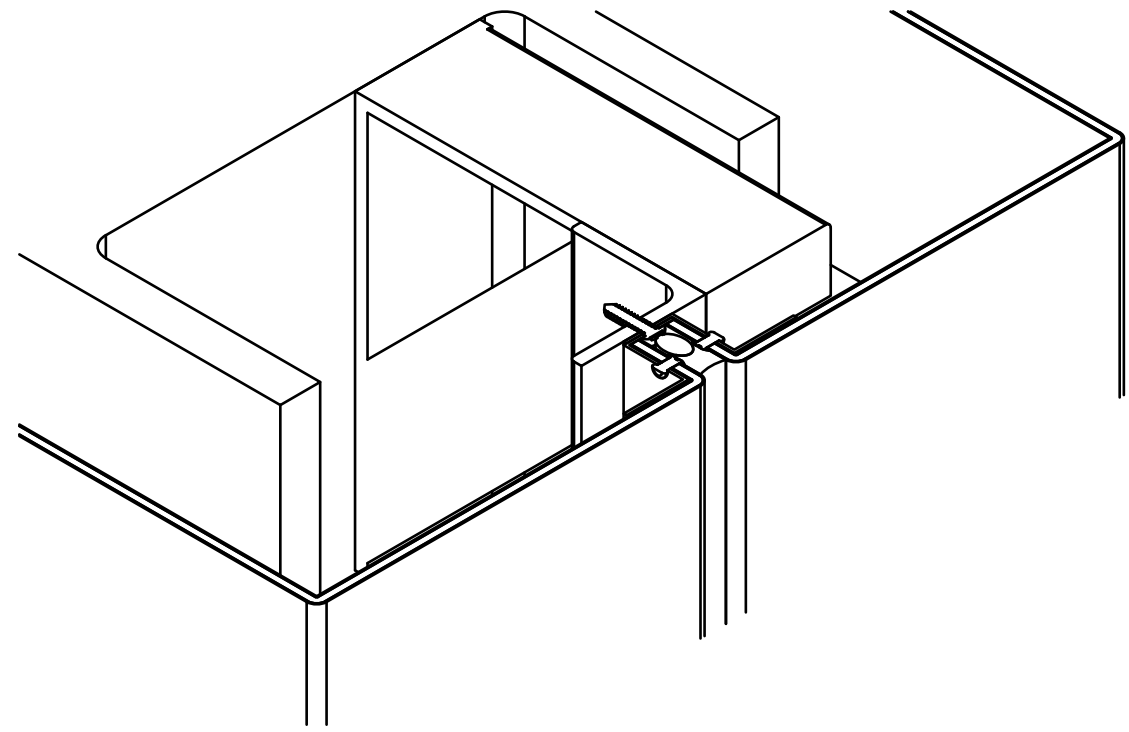


4 SQUARE COLUMN DETAIL

ALPOLIC NC
RAB



Engineer to review & approve for project.
Drawings do not supercede engineering detail.



CONCEALED
CASSETTE
SYSTEM

Project	Alpolic Installation Drawings
Drawing Title	Square Column Detail
Drafting by	Network Architectural