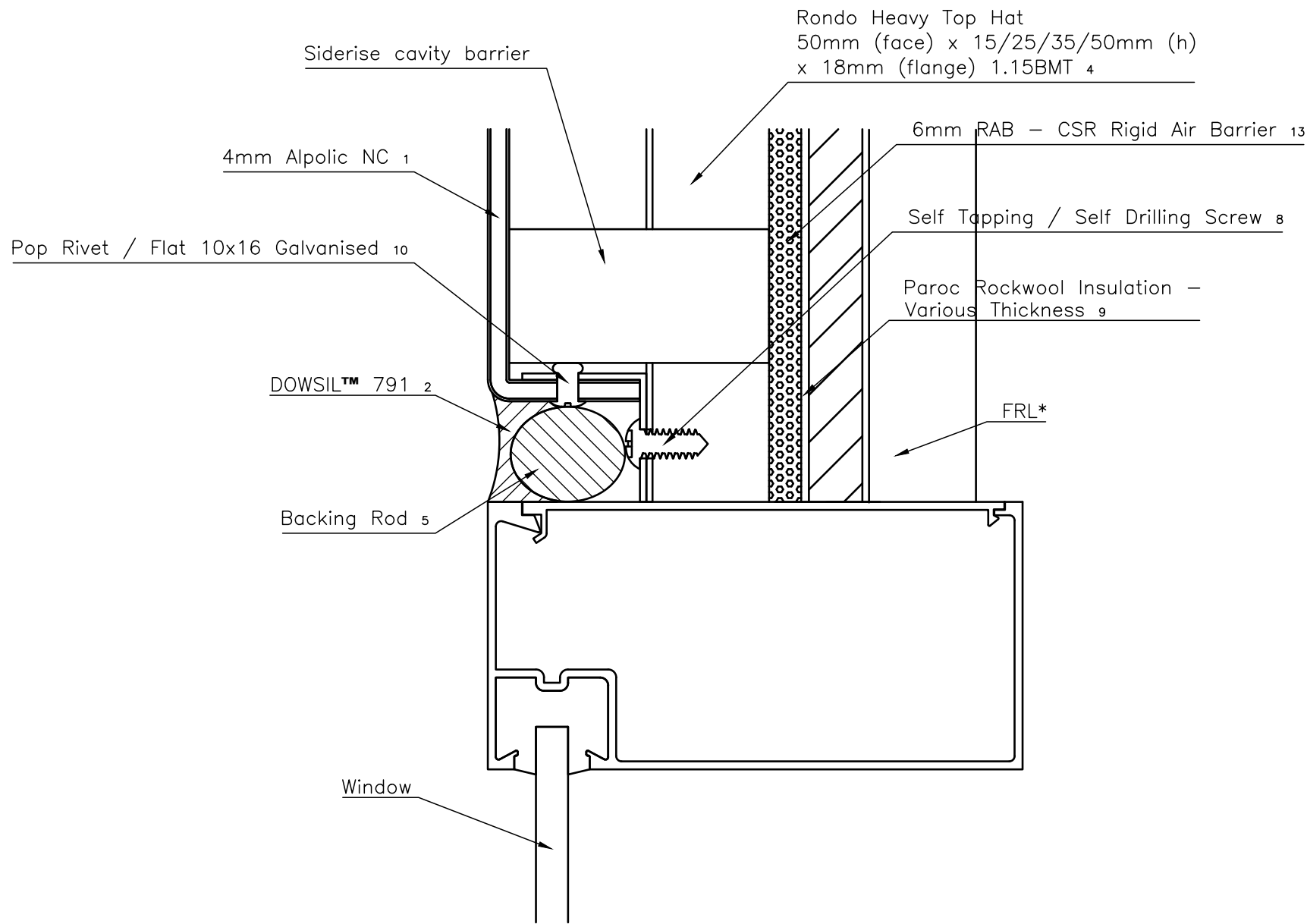
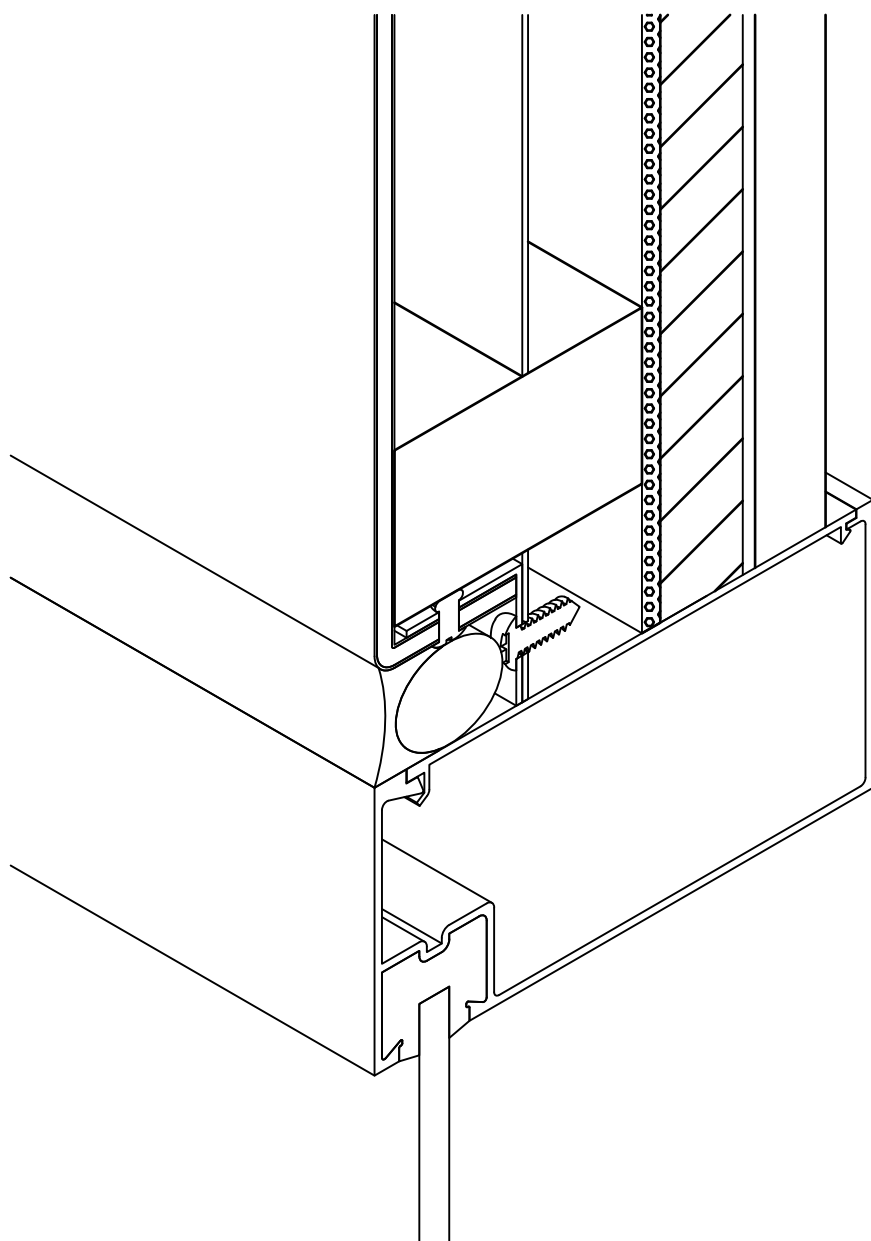


3 WINDOW DETAIL

ALPOLIC NC
RAB



*FRL to be nominated by engineer.

Engineer to review & approve for project.
Drawings do not supercede engineering detail.

CONCEALED CASSETTE SYSTEM	Project Alpolic Installation Drawings
	Drawing Title Window Detail
	Drafting by Network Architectural