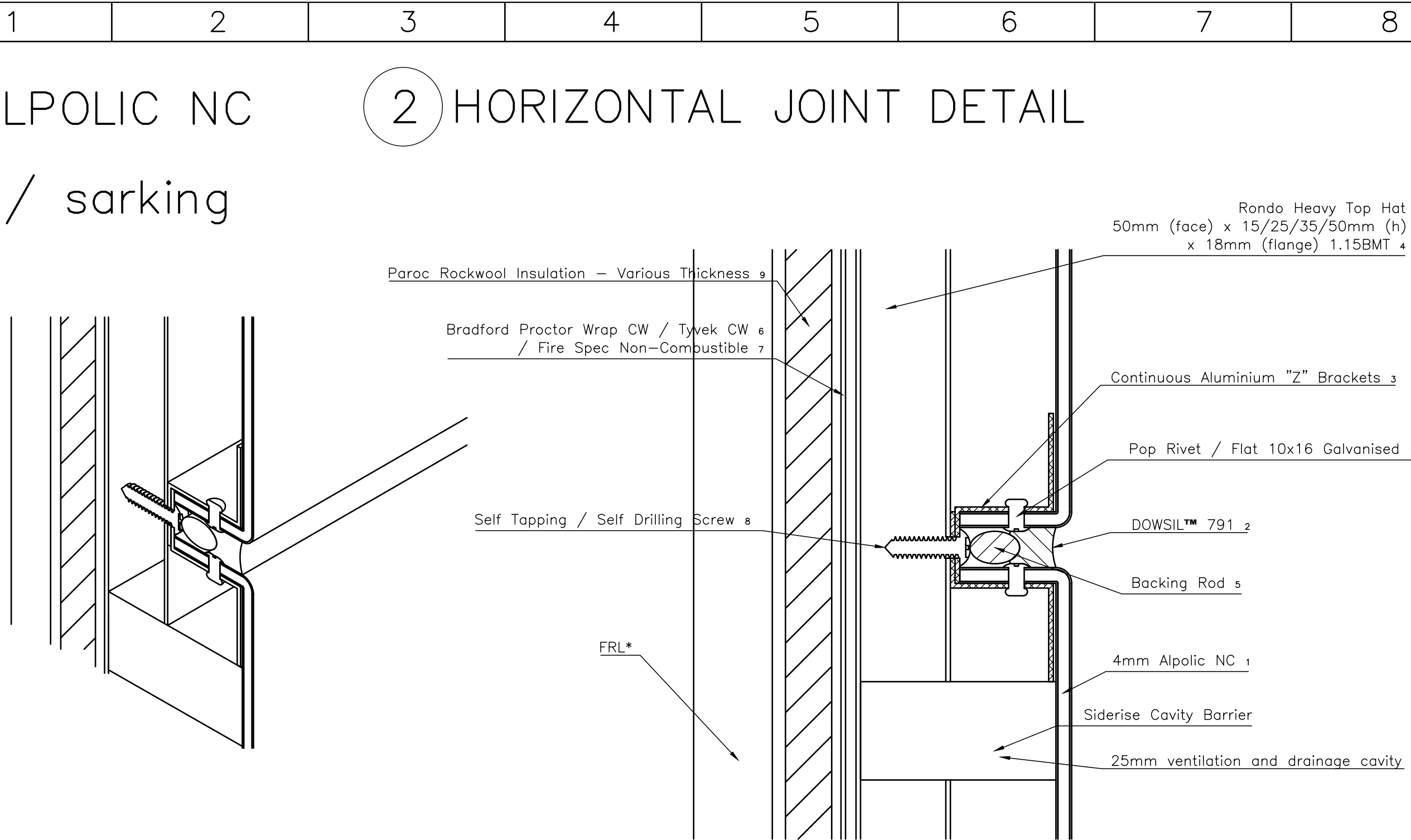


ALPOLIC NC
w/ sarking

2 HORIZONTAL JOINT DETAIL



Rondo Heavy Top Hat
50mm (face) x 15/25/35/50mm (h)
x 18mm (flange) 1.15BMT 4

Paroc Rockwool Insulation – Various Thickness 9

Bradford Proctor Wrap CW / Tyvek CW 6
/ Fire Spec Non-Combustible 7

Self Tapping / Self Drilling Screw 8

FRL*

Continuous Aluminium "Z" Brackets 3

Pop Rivet / Flat 10x16 Galvanised 10

DOWSIL™ 791 2

Backing Rod 5

4mm Alpolic NC 1

Siderise Cavity Barrier

25mm ventilation and drainage cavity



*FRL to be nominated by engineer.

Engineer to review & approve for project.
Drawings do not supercede engineering detail.

CONCEALED CASSETTE SYSTEM	Project Alpolic Installation Drawings
	Drawing Title Horizontal Joint Detail
	Drafting by Network Architectural