

ALPOLIC NC  
RAB

2 HORIZONTAL JOINT DETAIL

1 2 3 4 5 6 7 8

A

A

B

B

C

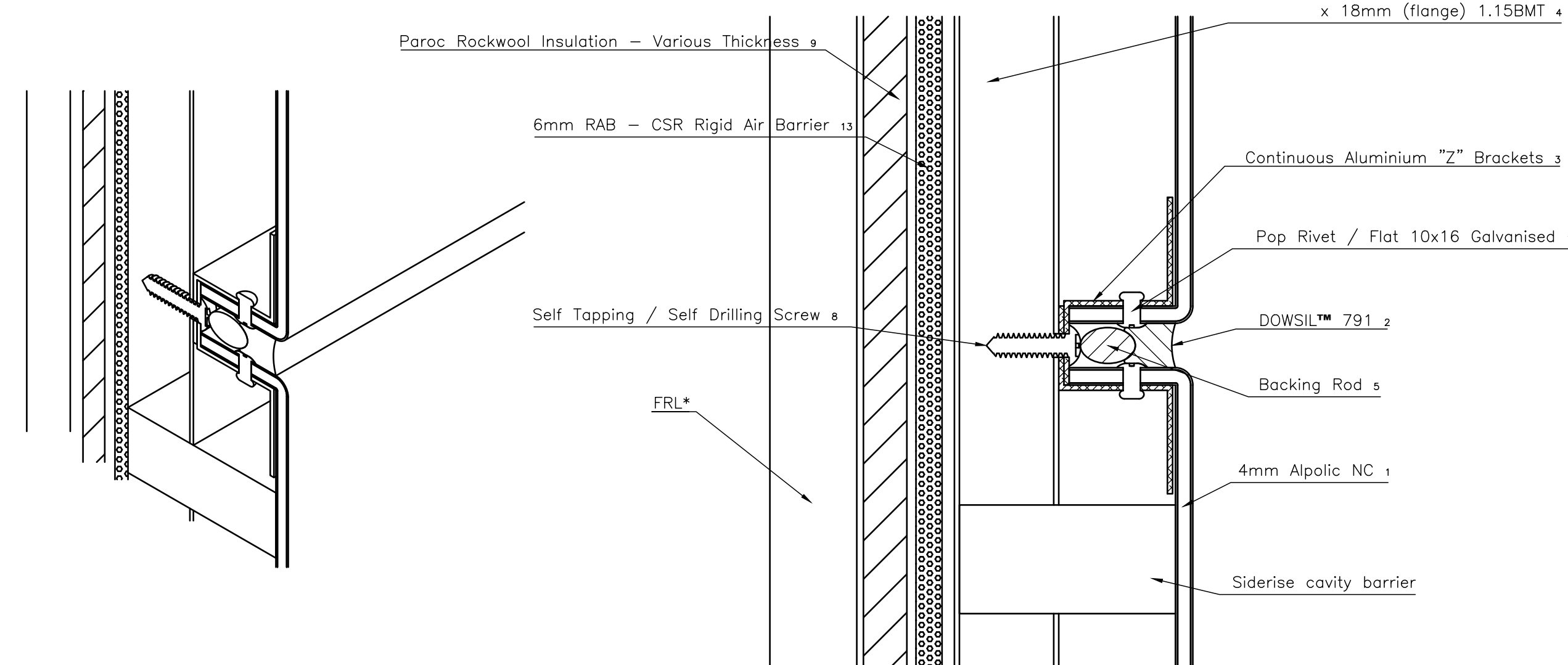
C

D

D

E

E



\*FRL to be nominated by engineer.  
Engineer to review & approve for project.  
Drawings do not supercede engineering detail.

<b>CONCEALED CASSETTE SYSTEM</b>	Project Alpolic Installation Drawings
	Drawing Title Horizontal Joint Detail
	Drafting by Network Architectural

1 2 3 4 5 6 7 8