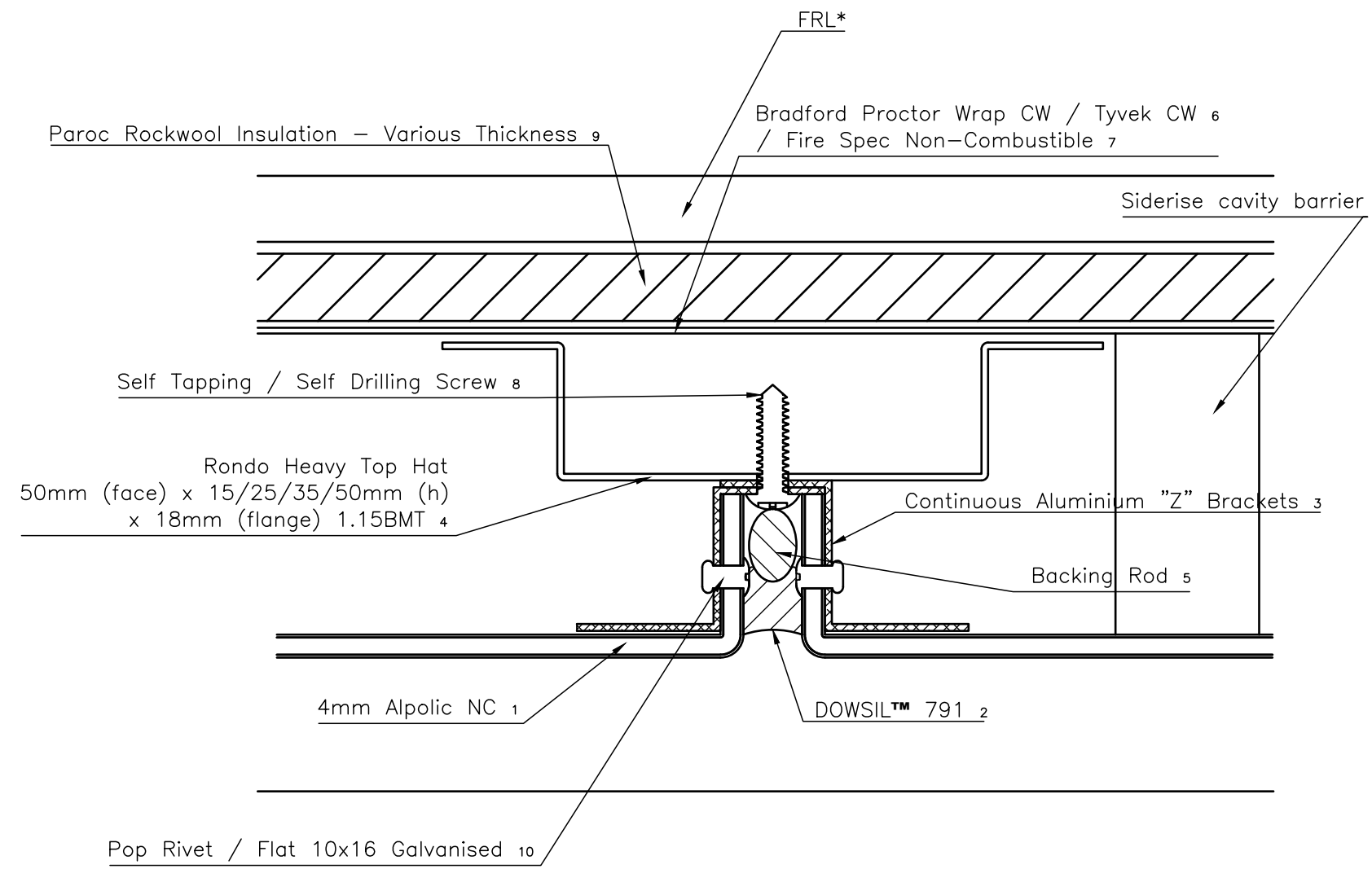
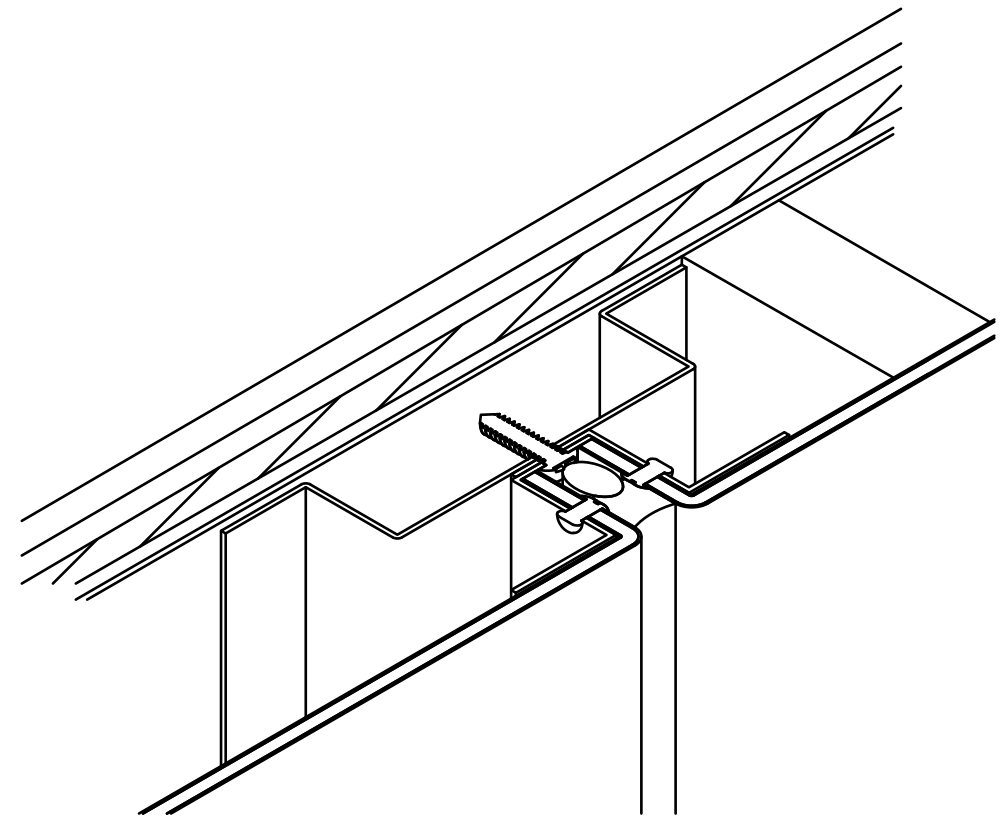


ALPOLIC NC  
w/ sarking

1 VERTICAL JOINT DETAIL



\*FRL to be nominated by engineer.

Engineer to review & approve for project. Drawings do not supercede engineering detail.



CONCEALED CASSETTE SYSTEM

Project	Alpolic Installation Drawings
Drawing Title	Vertical Joint Detail
Drafting by	Network Architectural