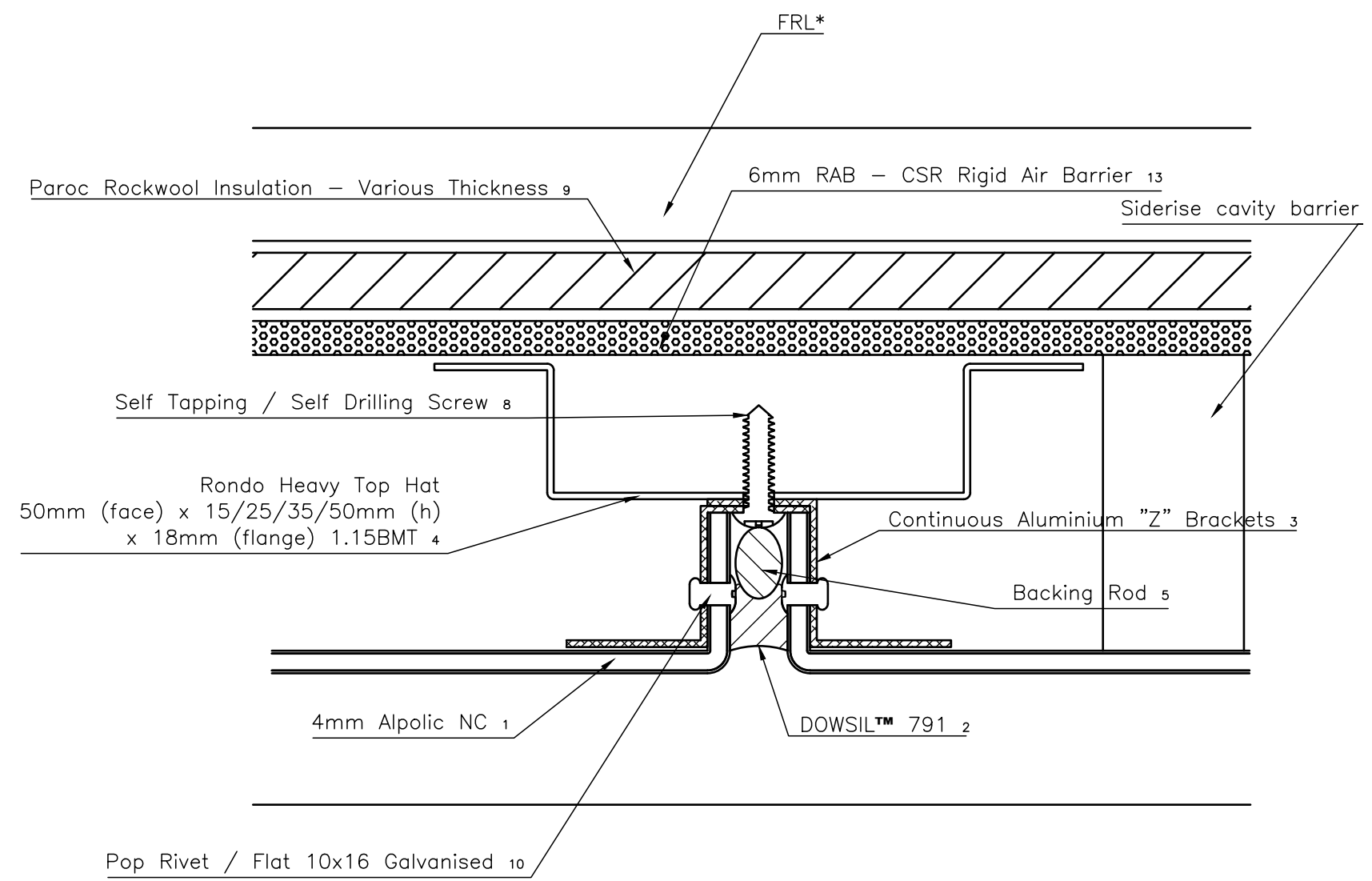
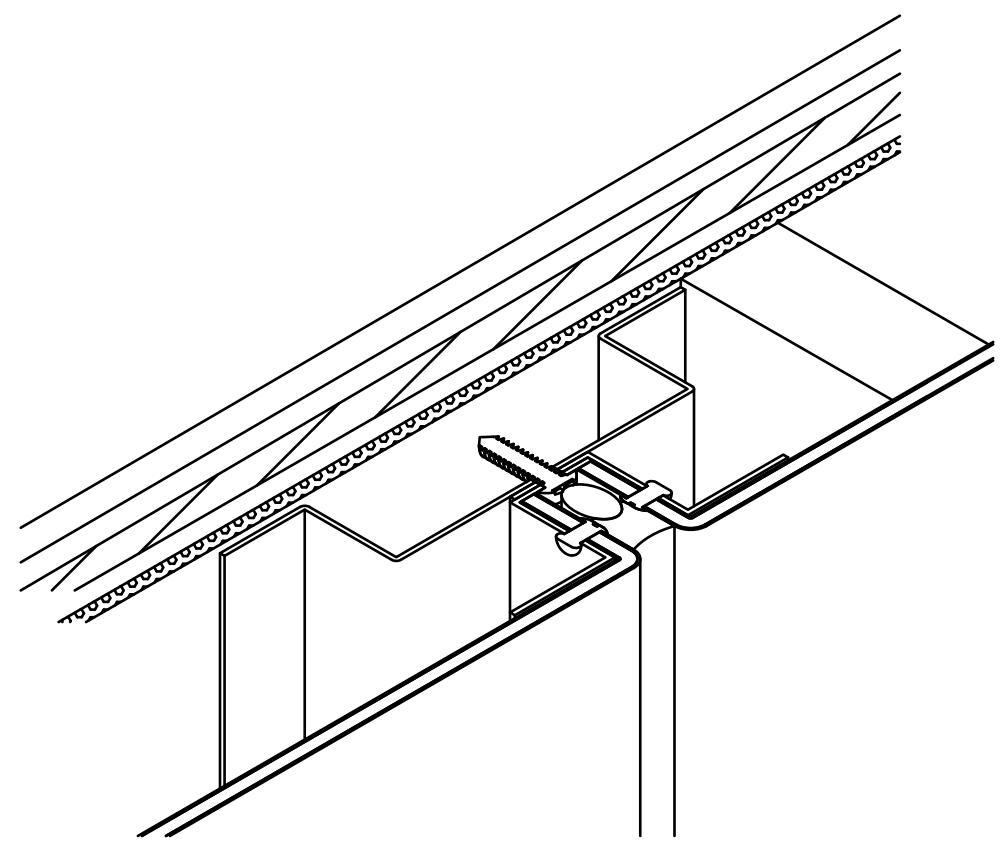


ALPOLIC NC
RAB

1 VERTICAL JOINT DETAIL



*FRL to be nominated by engineer.

Engineer to review & approve for project.
Drawings do not supercede engineering detail.



CONCEALED CASSETTE SYSTEM

Project	Alpolic Installation Drawings
Drawing Title	Vertical Joint Detail
Drafting by	Network Architectural