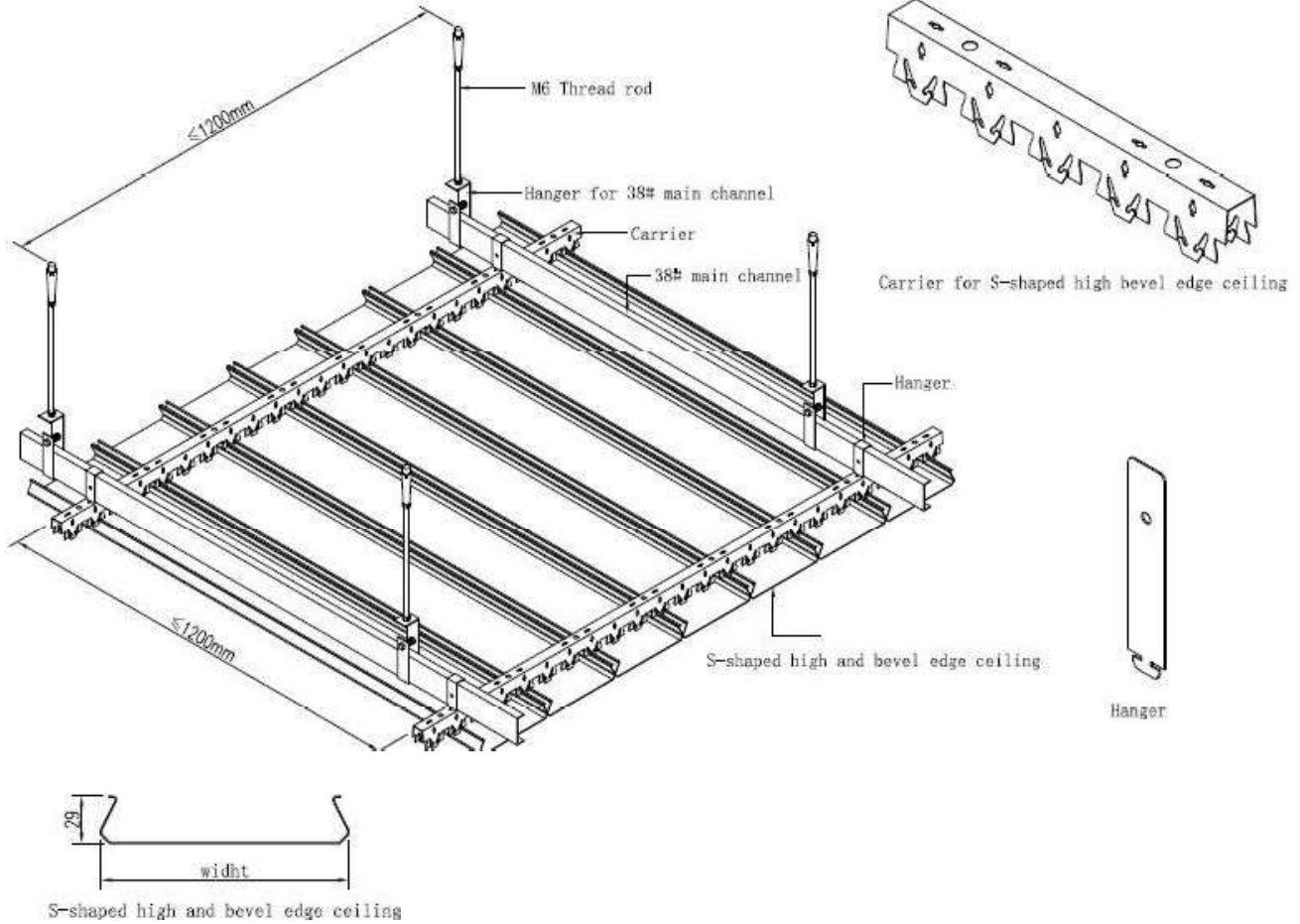


Durlum 300S External Linear Strip Ceiling



Durlum 300S series strip ceiling comes in panel width of $W = 300\text{mm}$ modules with close gaps with flush jointed details. System is designed for external application with wind security locking clip designed within the carrier

Panel Width
300mm

Thickness
0.8mm – 1.0mm thick

Components

1. C-series formed panels
2. Galvanized steel carriers
3. Cross connector brackets
4. C-Channels primary runner
5. M6 threaded rod hanging brackets
6. M6 threaded rods – By customer
7. Carrier splice plate

