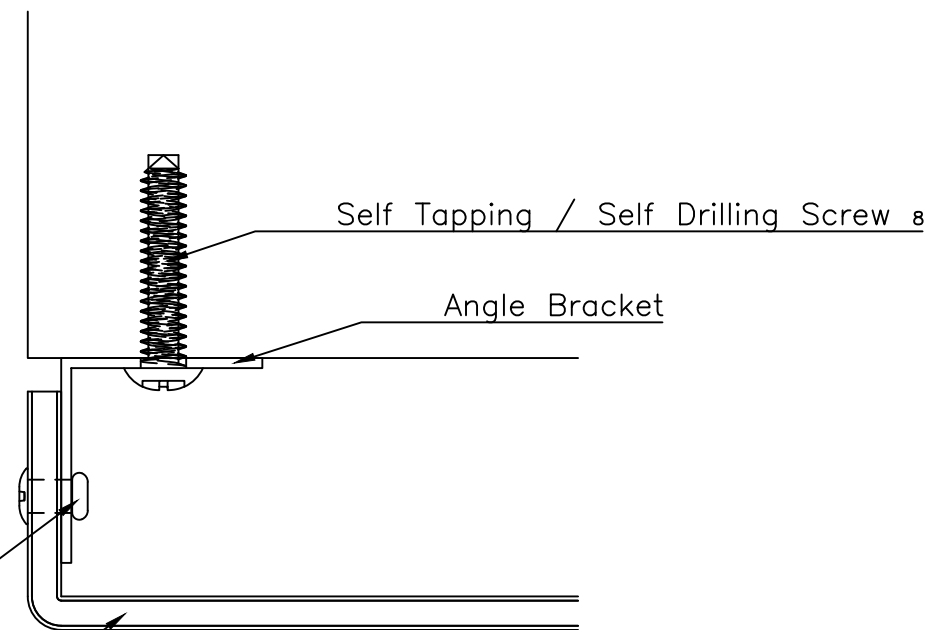
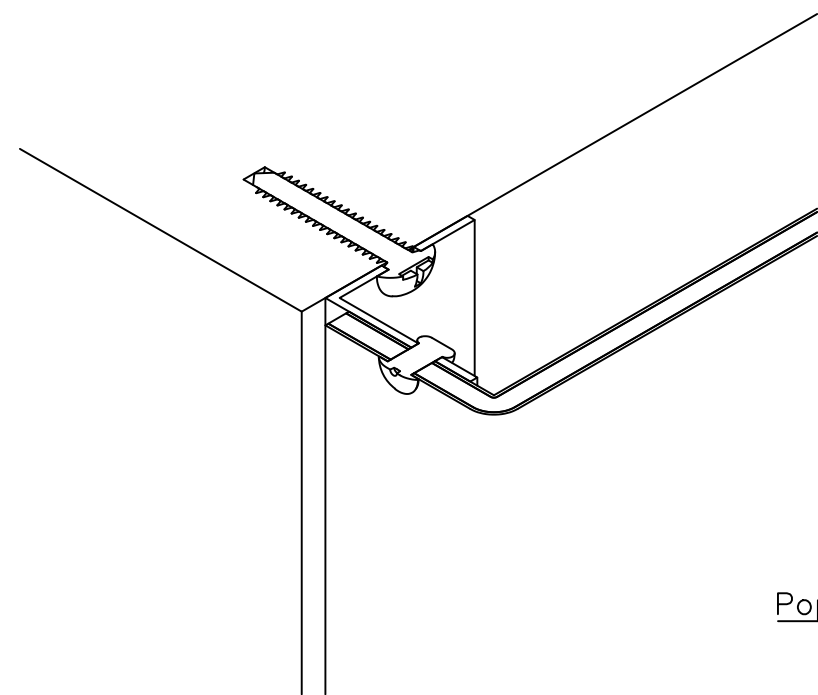


ALPOLIC NC  
OPEN JOINT

9 EDGE DETAIL



Pop Rivet / Flat 10x16 Galvanised 10

4mm Alpolic NC 1

Self Tapping / Self Drilling Screw 8

Angle Bracket

Engineer to review & approve for project.  
Drawings do not supercede engineering detail.



<b>CONCEALED CASSETTE SYSTEM</b>	Project Alpolic Installation Drawings
	Drawing Title Edge Detail
	Drafting by Network Architectural