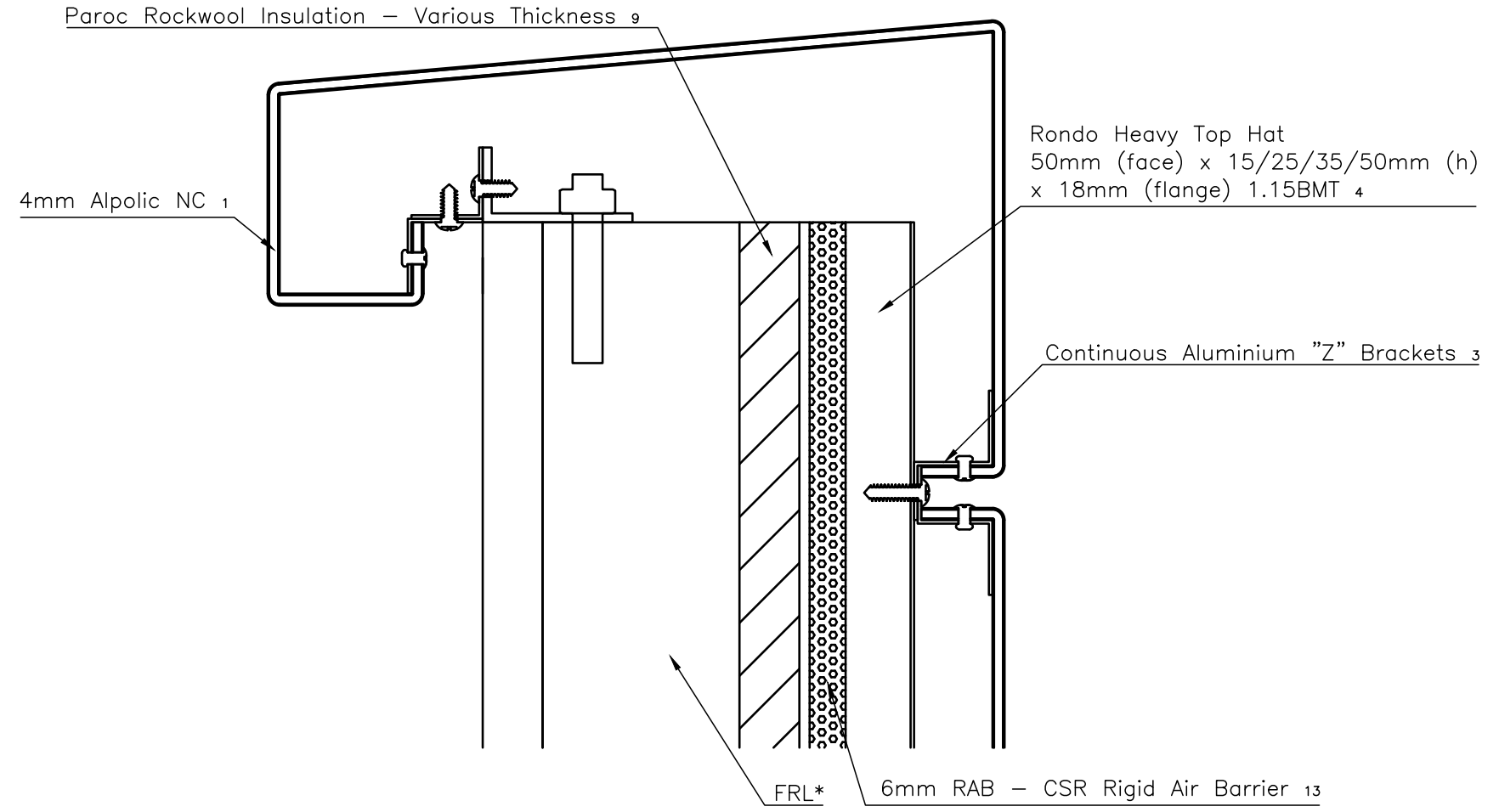
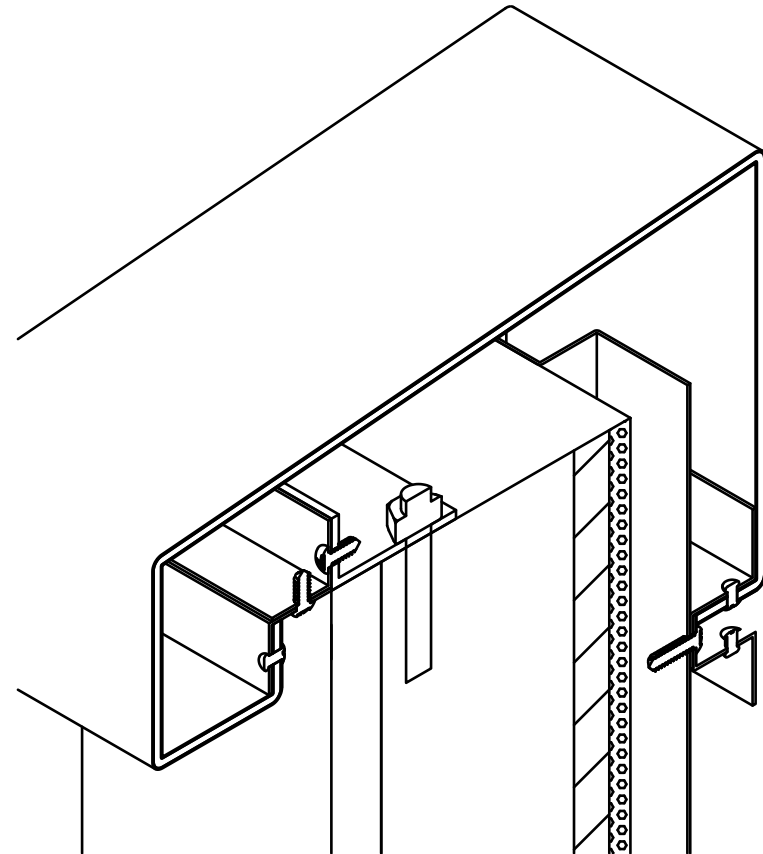


7 PARAPET/CAPPING DETAIL

ALPOLIC NC
OPEN JOINT



*FRL to be nominated by engineer.
Engineer to review & approve for project.
Drawings do not supercede engineering detail.



CONCEALED CASSETTE SYSTEM	Project Alpolic Installation Drawings
	Drawing Title Parapet/Capping Detail
	Drafting by Network Architectural