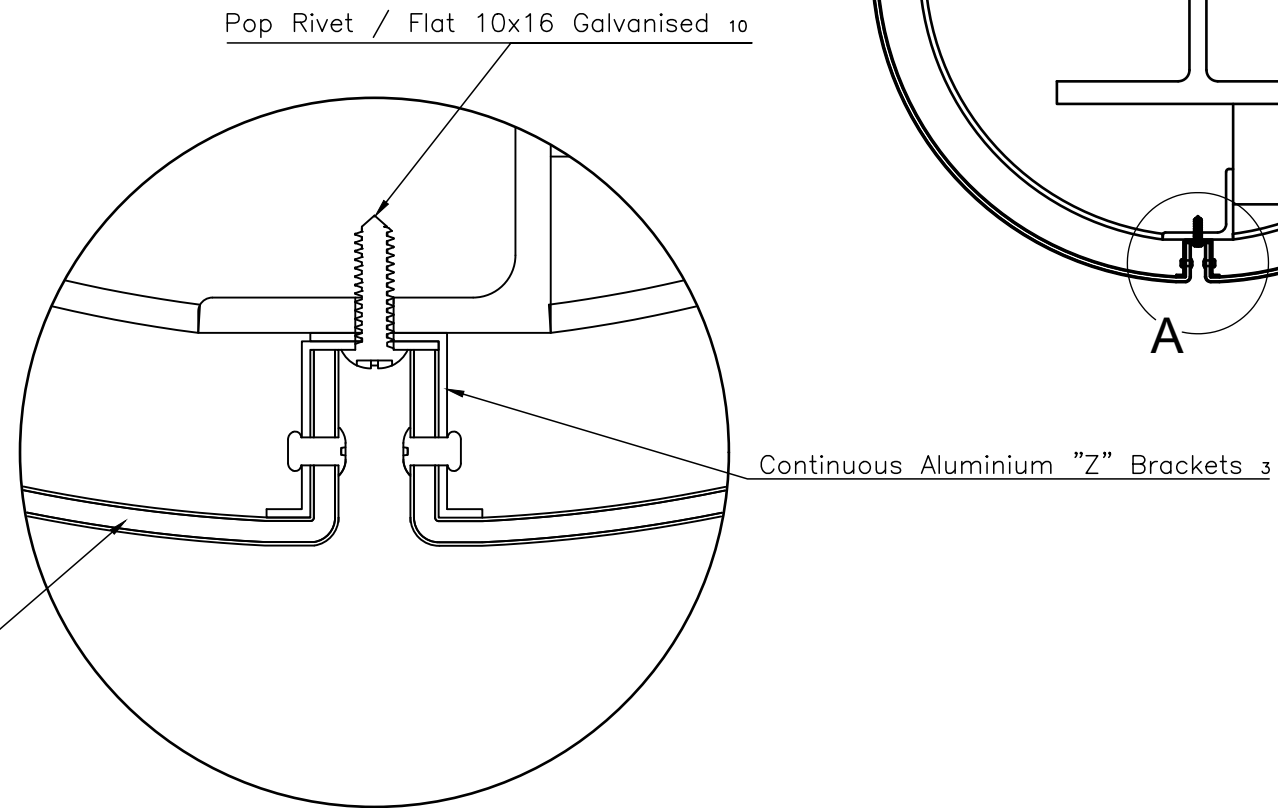
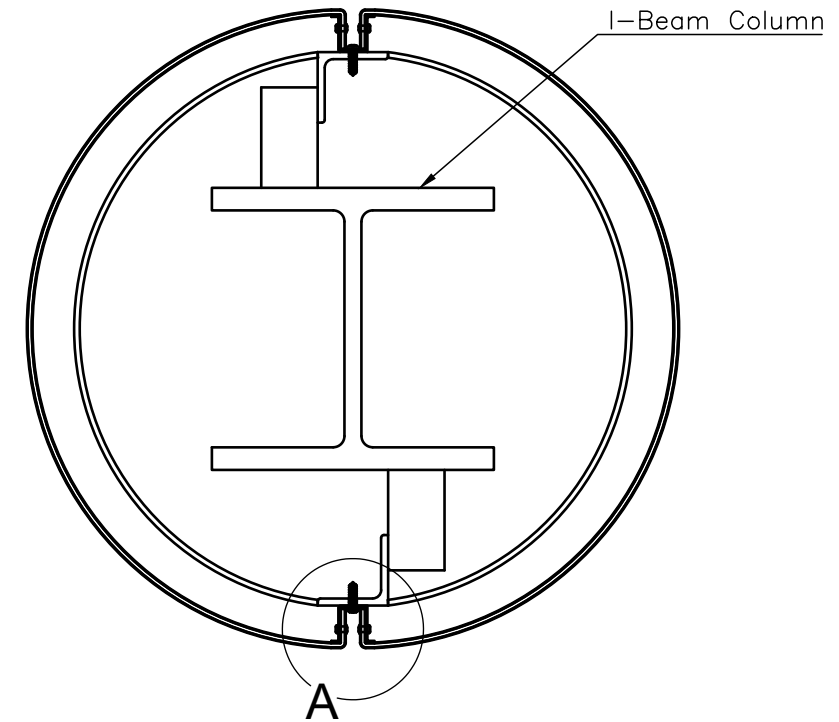
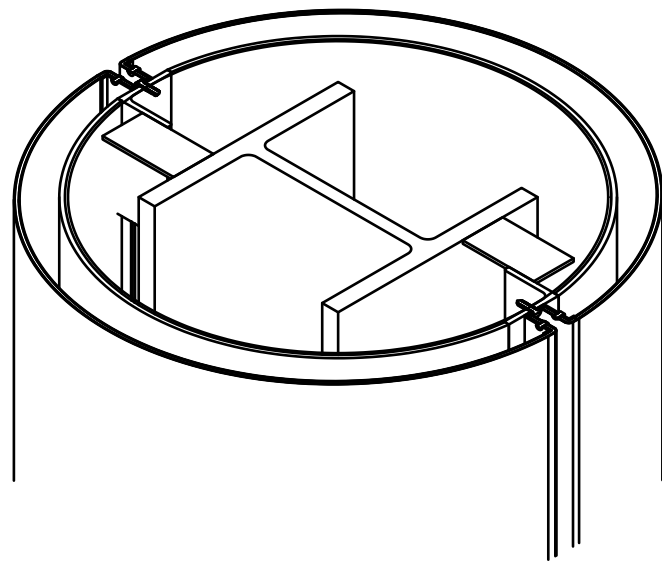


5 ROUND COLUMN DETAIL

ALPOLIC NC
OPEN JOINT



DETAIL-A

Engineer to review & approve for project.
Drawings do not supercede engineering detail.



Network
Architectural



ALPOLIC™

RONDO®

CEMINTEL®

CONCEALED
CASSETTE
SYSTEM

Project	Alpolic Installation Drawings
Drawing Title	Round Column Detail
Drafting by	Network Architectural