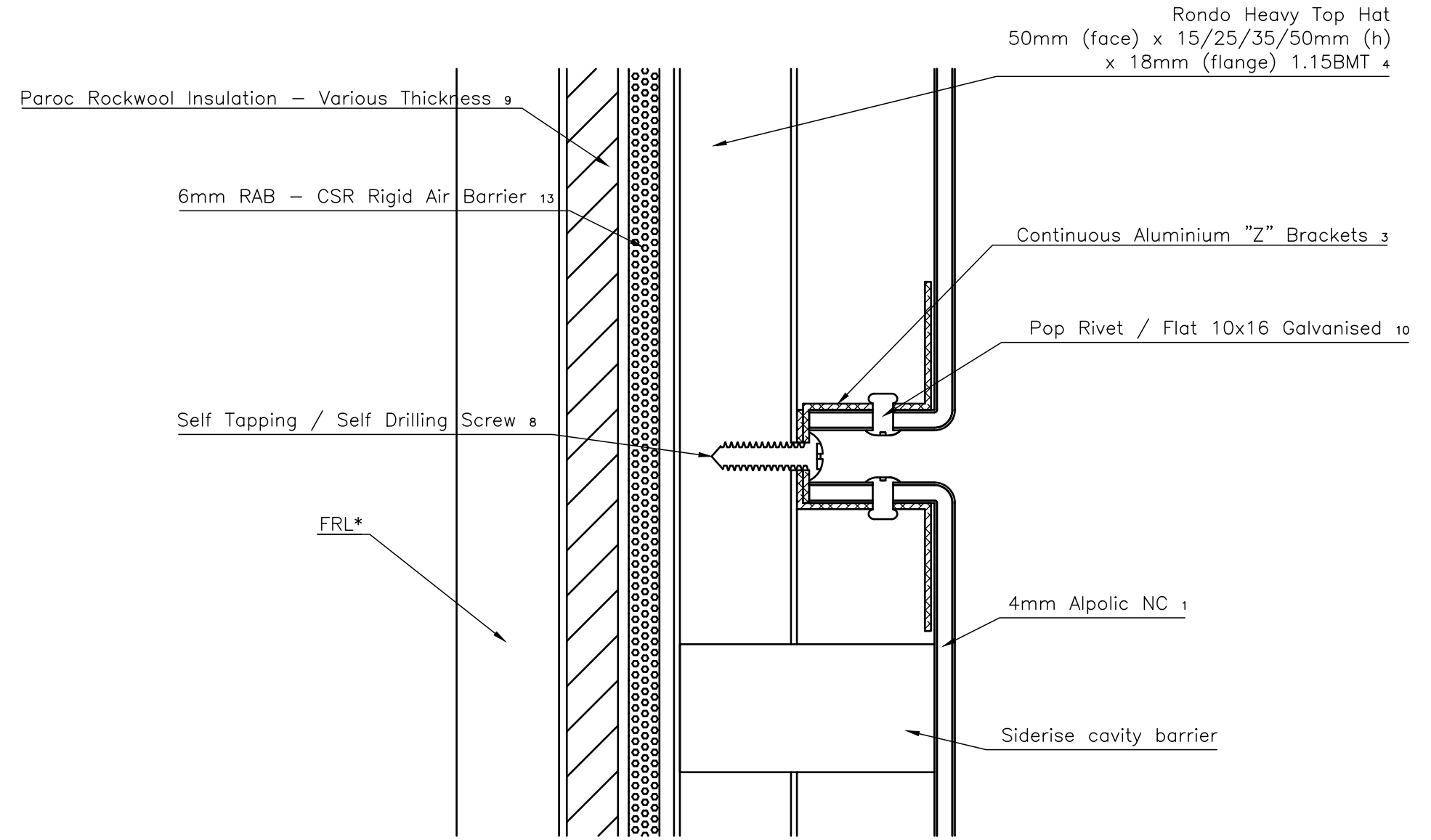
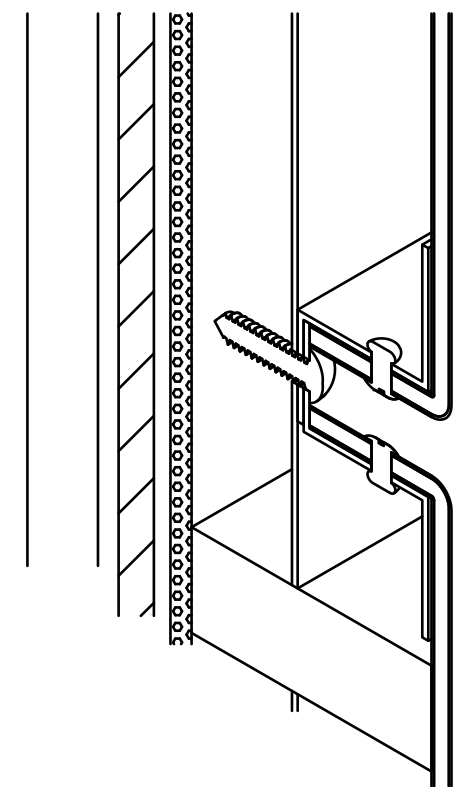


ALPOLIC NC
OPEN JOINT

2 HORIZONTAL JOINT DETAIL



*FRL to be nominated by engineer.

Engineer to review & approve for project.
Drawings do not supercede engineering detail.

CONCEALED CASSETTE SYSTEM	Project Alpolic Installation Drawings
	Drawing Title Horizontal Joint Detail
	Drafting by Network Architectural