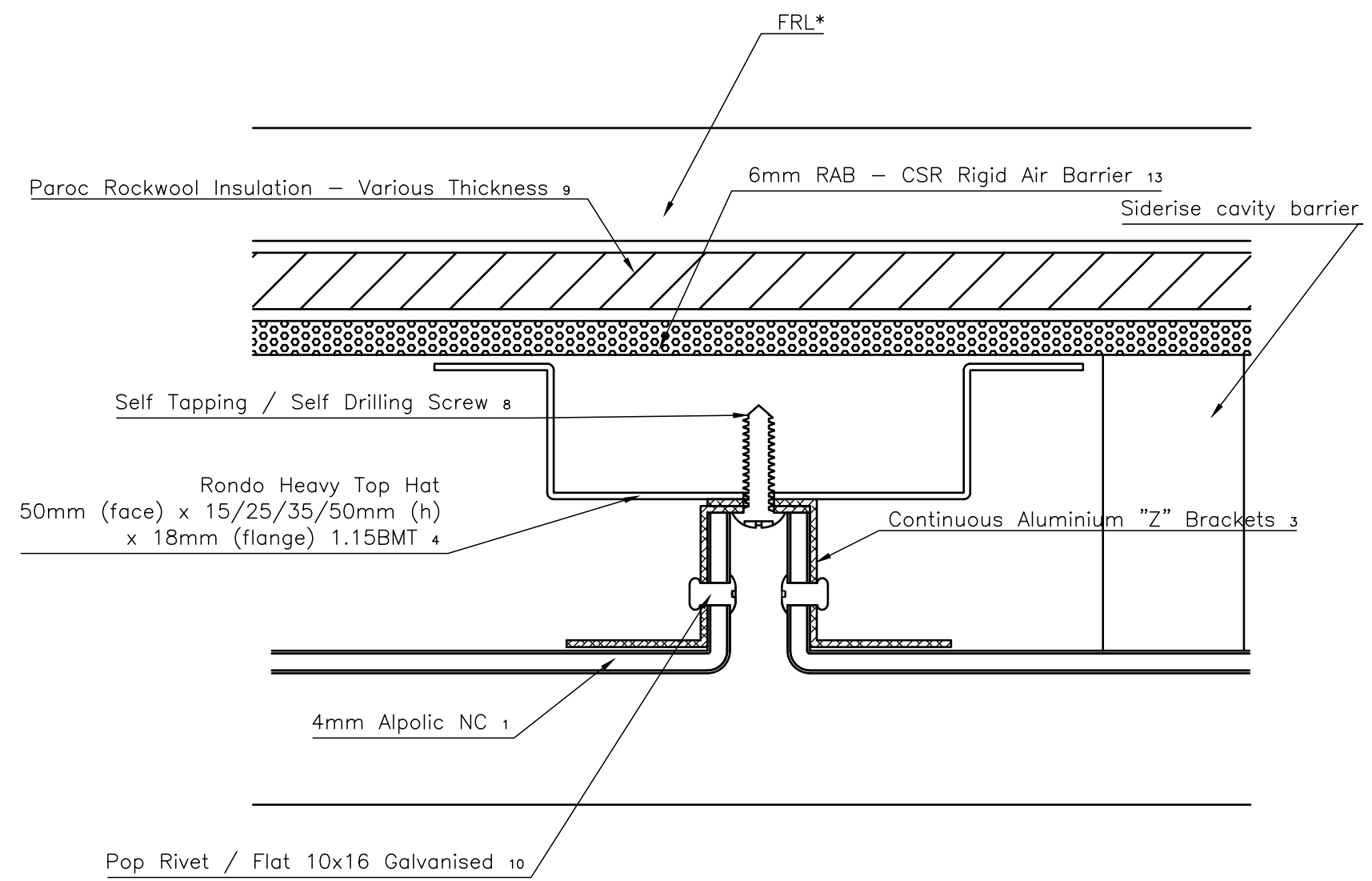
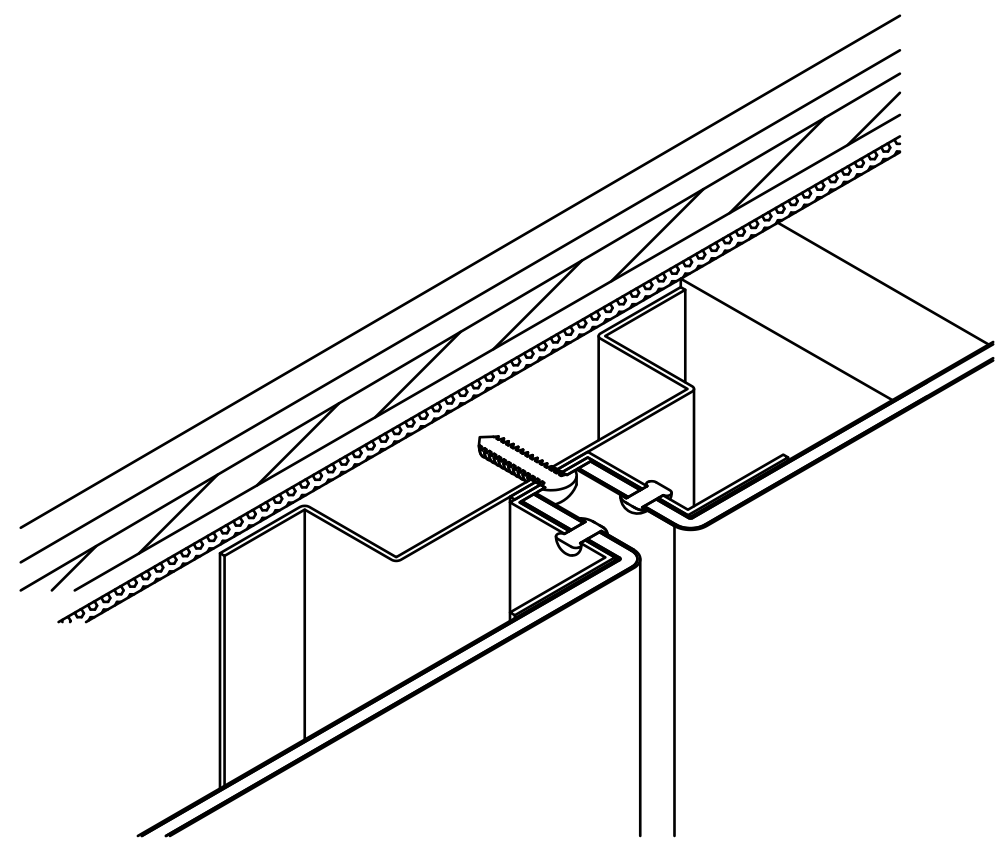


ALPOLIC NC
OPEN JOINT

1 VERTICAL JOINT DETAIL

A
B
C
D
E

A
B
C
D
E



*FRL to be nominated by engineer.

Engineer to review & approve for project.
Drawings do not supercede engineering detail.



CONCEALED CASSETTE SYSTEM	Project Alpolic Installation Drawings
	Drawing Title Vertical Joint Detail
	Drafting by Network Architectural

1 2 3 4 5 6 7 8