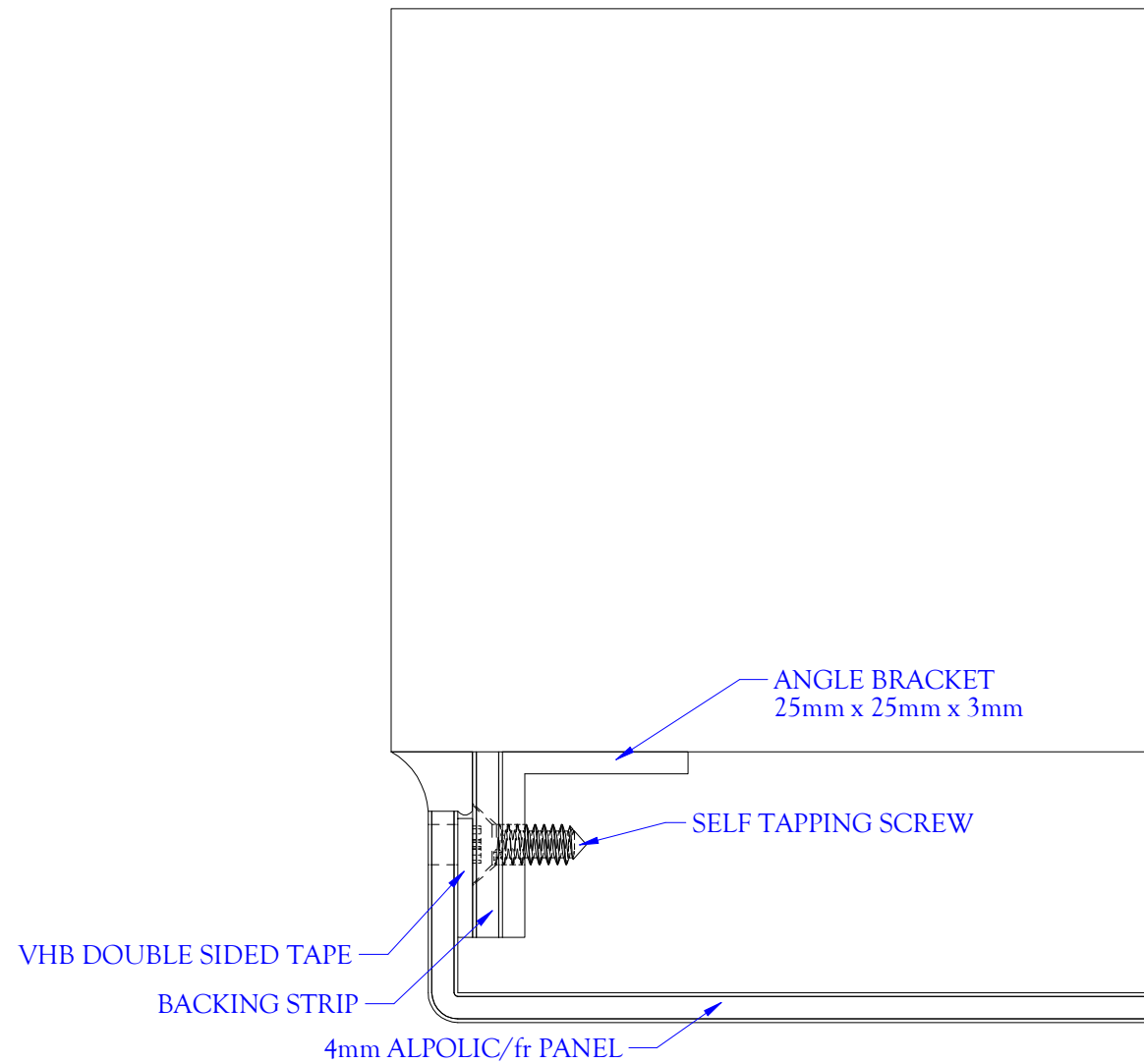
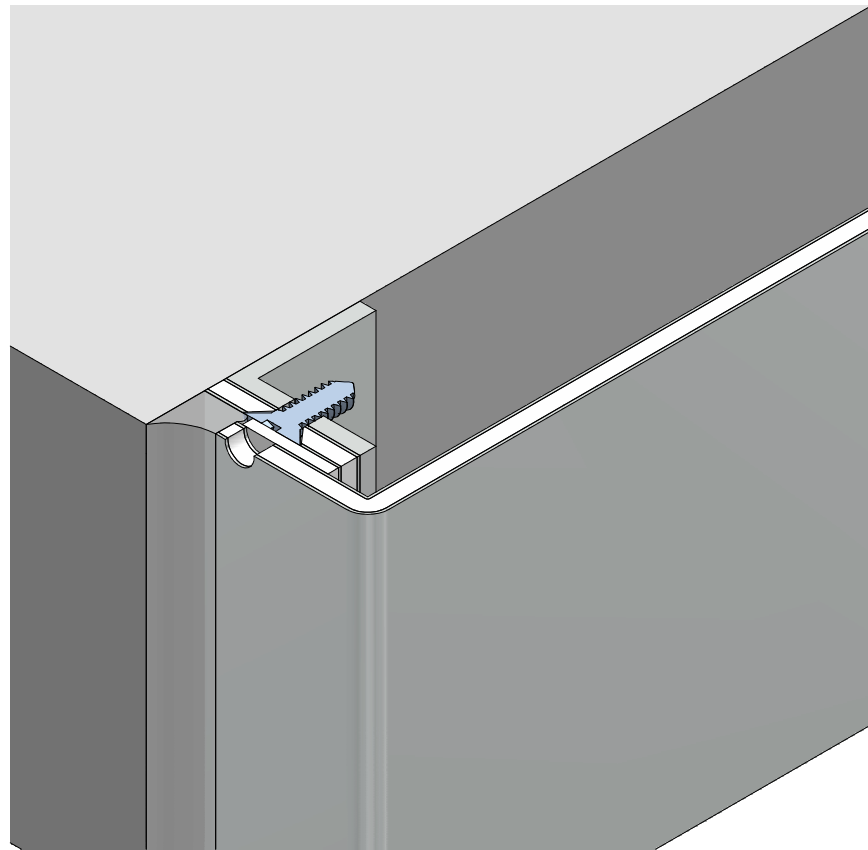


9 EDGE DETAIL



Client



71 Marigold Street
Revesby NSW 2212
P: 61 2 8316 5000
info@networkarchitectural.com.au
www.networkarchitectural.com.au



**TAPE
FIX
SYSTEM**

Project
Alpolic Installation Drawings
Drawing Title
Edge Detail

Drafting by Yurich Design Services
info@yds.net.au
Drawn BR Checked NJ Scale 1:1
Date 26/08/2011
Drawing No. SGI - ALP - TFS9 Revision A