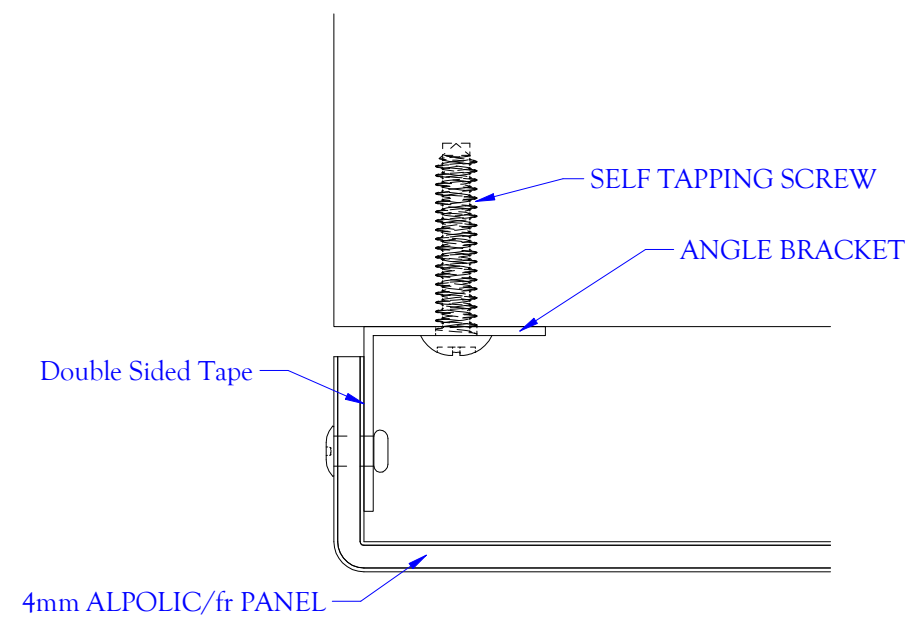
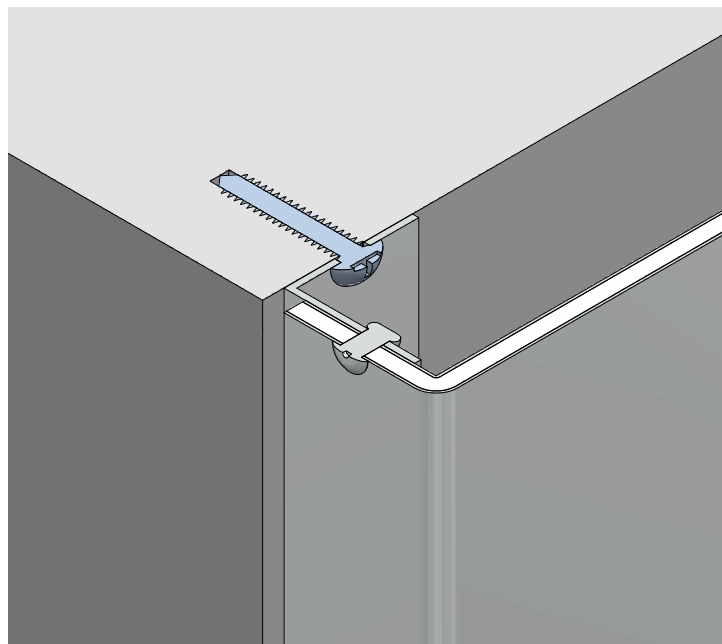


# 9 EDGE DETAIL



Client



71 Marigold Street  
Revesby NSW 2212  
P: 61 2 8316 5000  
info@networkarchitectural.com.au  
www.networkarchitectural.com.au



**CONCEALED  
CASSETTE  
SYSTEM**

Project  
Alpolic Installation Drawings  
Drawing Title  
Edge Detail

Drafting by Yurich Design Services  
info@yds.net.au  
Drawn BR Checked NJ Scale 1:1  
Date 26/08/2011  
Drawing No. SGI - ALP - CCS9 Revision A