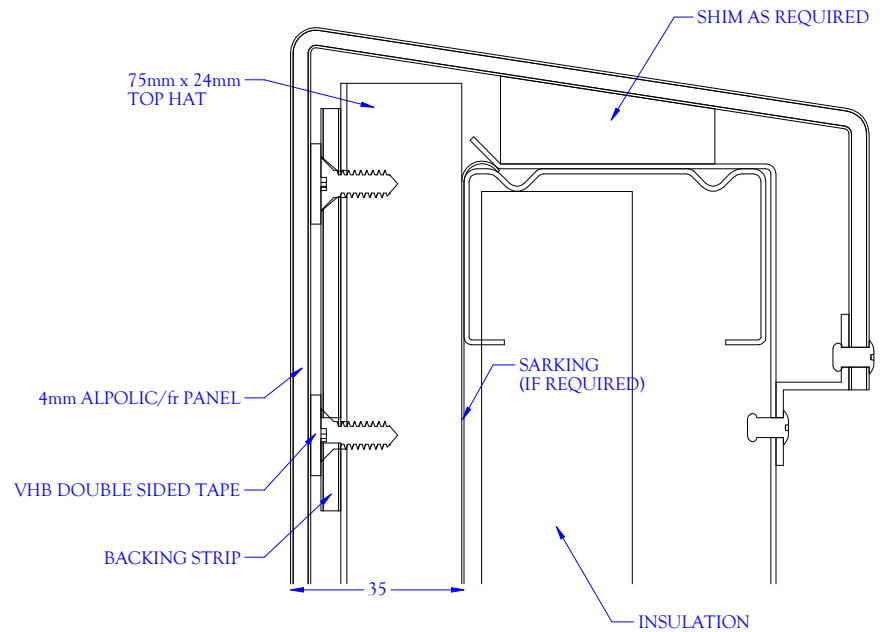
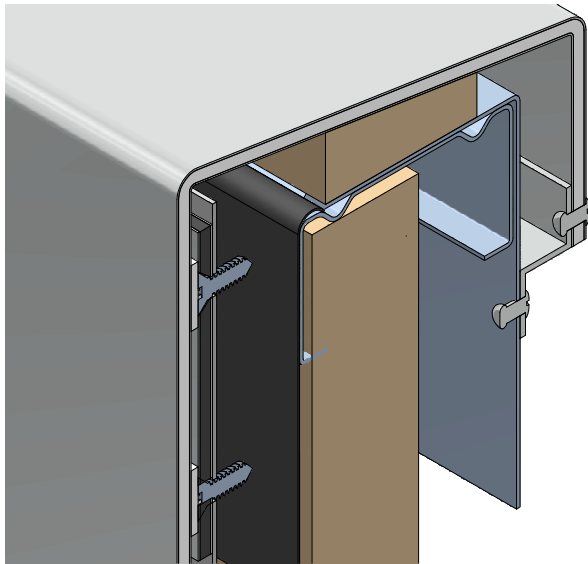


# 7 PARAPET/CAPPING DETAIL



Client



71 Marigold Street  
Revesby NSW 2212  
P: 61 2 6316 5000  
info@networkarchitectural.com.au  
www.networkarchitectural.com.au



**TAPE  
FIXED  
SYSTEM**

Project  
Alpolic Installation Drawings  
Drawing Title  
Parapet/Capping Detail

Drafting by Yurich Design Services  
info@yds.net.au  
Drawn  
BR  
Checked  
NJ  
Date  
26/08/2011  
Drawing No.  
SGI - ALP - TFS7  
Scale  
1:1  
Revision  
A