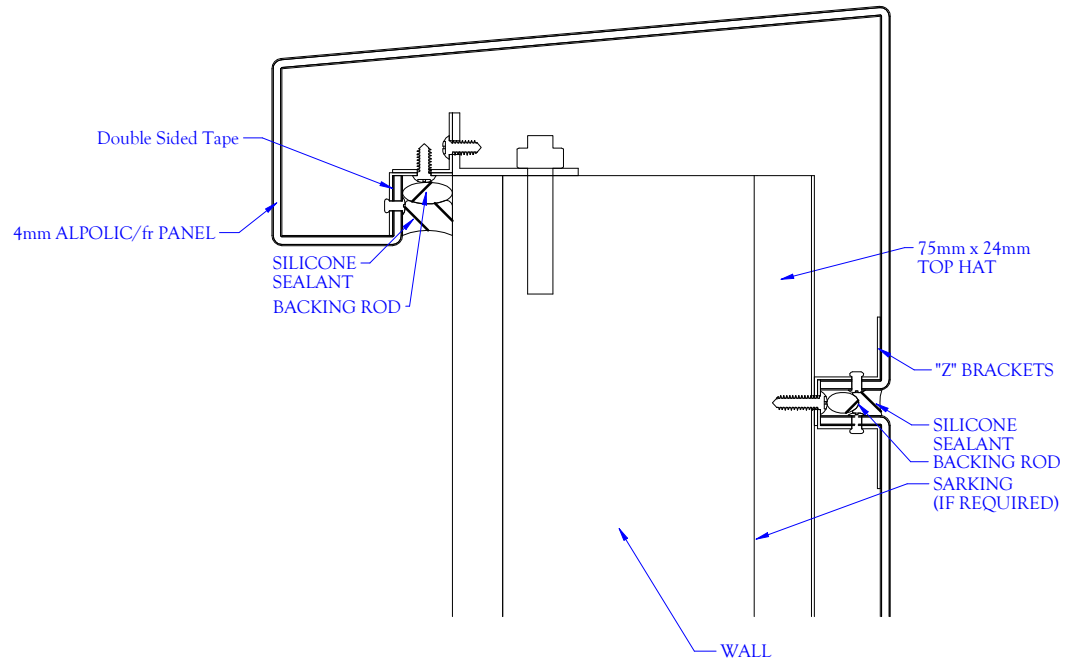
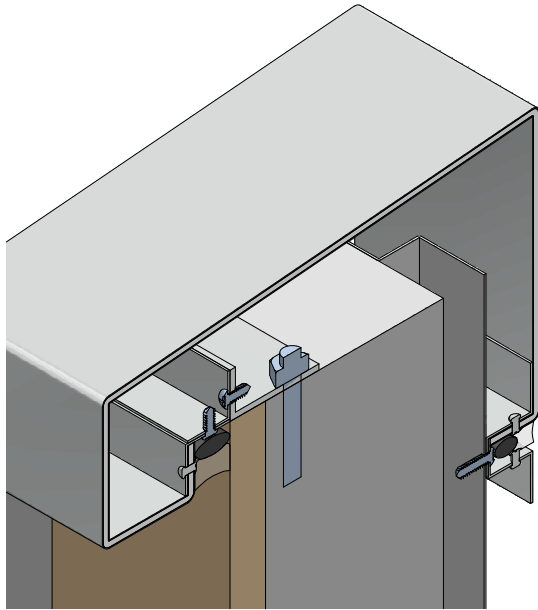


7 PARAPET/CAPPING DETAIL



Client



71 Marigold Street
Revesby NSW 2212
P: 61 2 6316 5000
info@networkarchitectural.com.au
www.networkarchitectural.com.au



**CONCEALED
CASSETTE
SYSTEM**

Project
Alpolic Installation Drawings
Drawing Title
Parapet/Capping Detail

Drafting by Yurich Design Services
info@yds.net.au
Drawn BR
Checked NJ
Date 26/08/2011
Drawing No. SGI - ALP - CCS7
Scale 1:2
Revision A