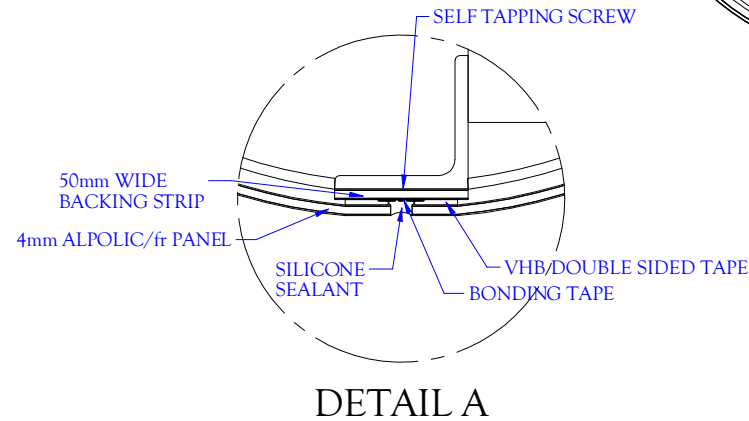
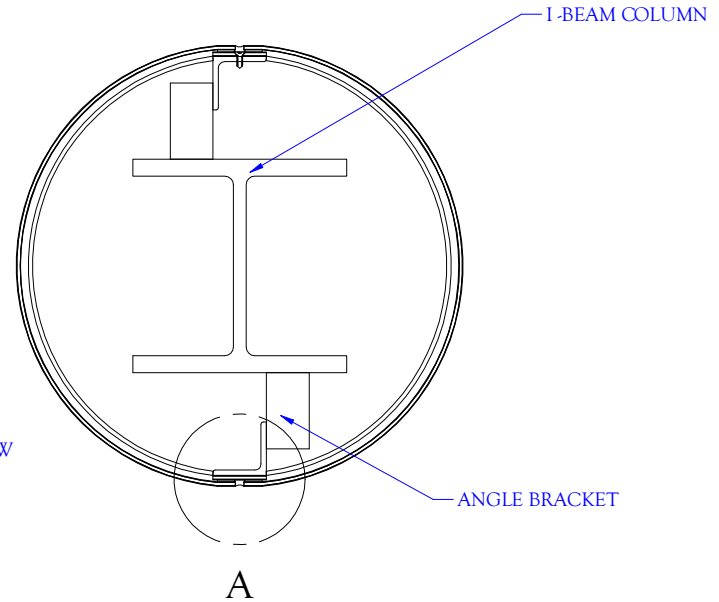
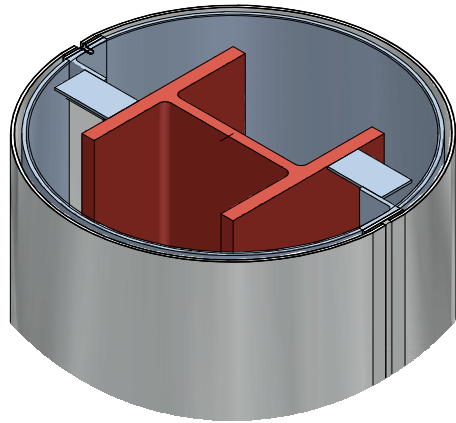


5 ROUND COLUMN DETAIL



Client



71 Marigold Street
Revesby NSW 2212
P: 61 2 8316 5000
info@networkarchitectural.com.au
www.networkarchitectural.com.au



**TAPE
FIX
SYSTEM**

Project
Alpolic Installation Drawings

Drawing Title
Round Column Detail

Drafting by Yurich Design Services
H@yurich.net.au

Drawn	Checked	Scale
BR	NJ	1:5
Date	26/08/2011	
Drawing No.	SGI - ALP - TFS5	
Revision	A	