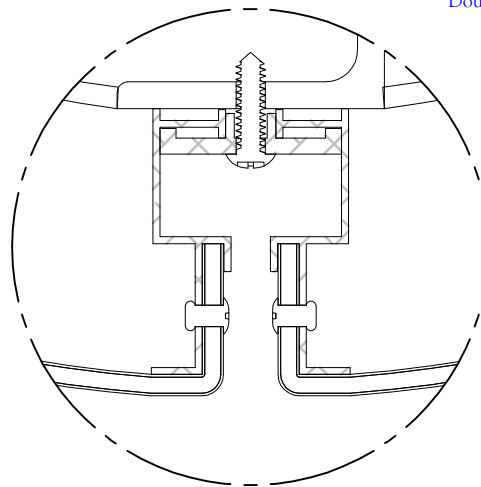
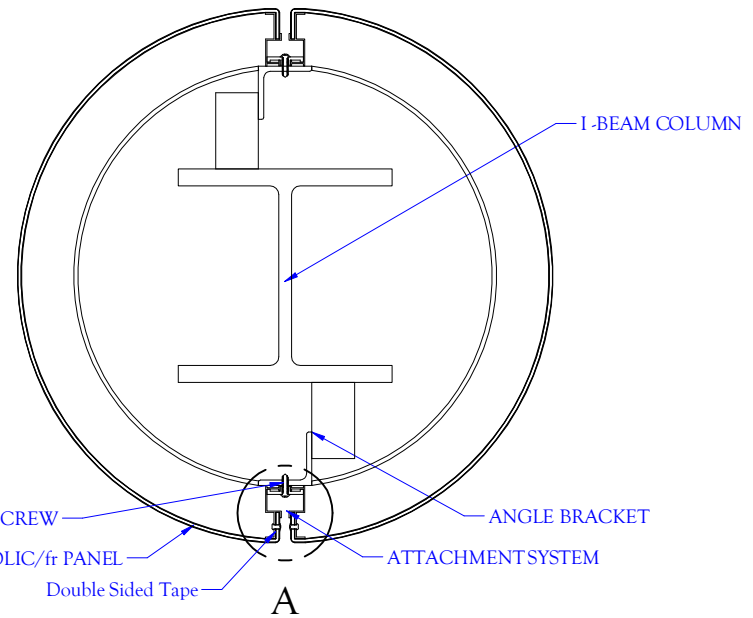
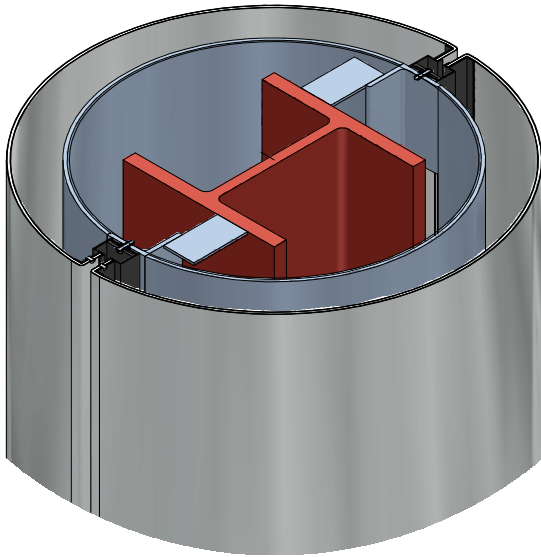


# 5 ROUND COLUMN DETAIL



DETAIL A

Client



71 Marigold Street  
Revesby NSW 2212  
P: 61 2 8316 5000  
info@networkarchitectural.com.au  
www.networkarchitectural.com.au



**OPEN  
JOINT  
SYSTEM**

Project  
Alpolic Installation Drawings  
Drawing Title  
Round Column Detail

Drafting by Yurich Design Services  
H@yurich.net.au  
Drawn BR  
Checked NJ  
Date 26/08/2011  
Drawing No. SGI - ALP - OJS5  
Scale 1:5  
Revision A