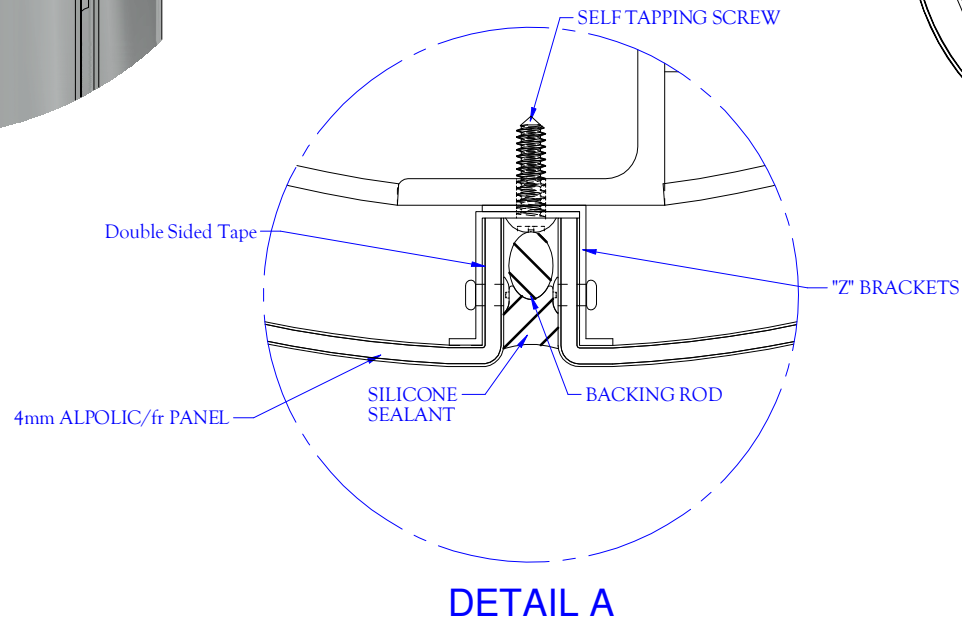
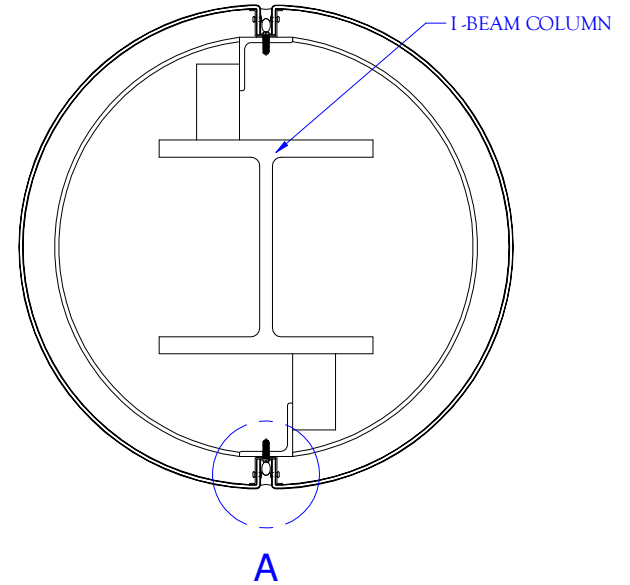
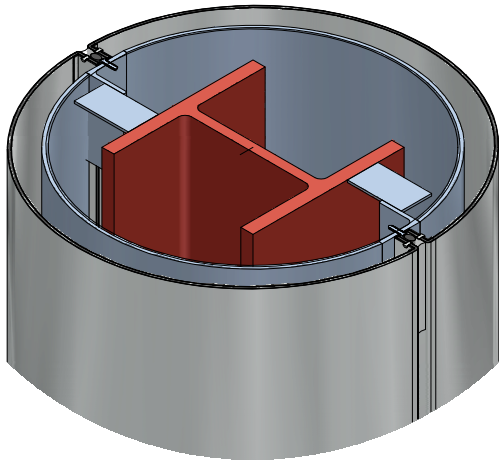


5 ROUND COLUMN DETAIL



Client



71 Marigold Street
Revesby NSW 2212
P: 61 2 8316 5000
info@networkarchitectural.com.au
www.networkarchitectural.com.au



**CONCEALED
CASSETTE
SYSTEM**

Project
Alpolic Installation Drawings
Drawing Title
Round Column Detail

Drafting by Yurich Design Services
H0@yds.net.au
Drawn BR
Checked NJ
Date 26/08/2011
Revision A
Drawing No. SGI - ALP - CCS5