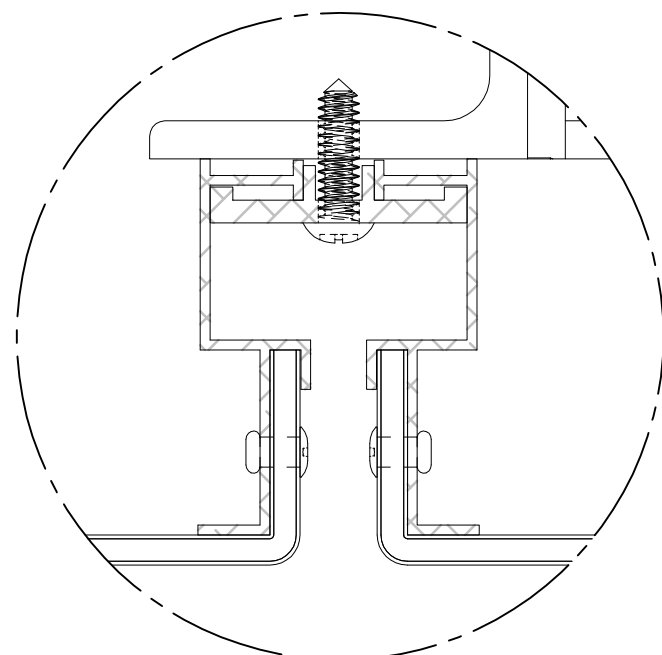
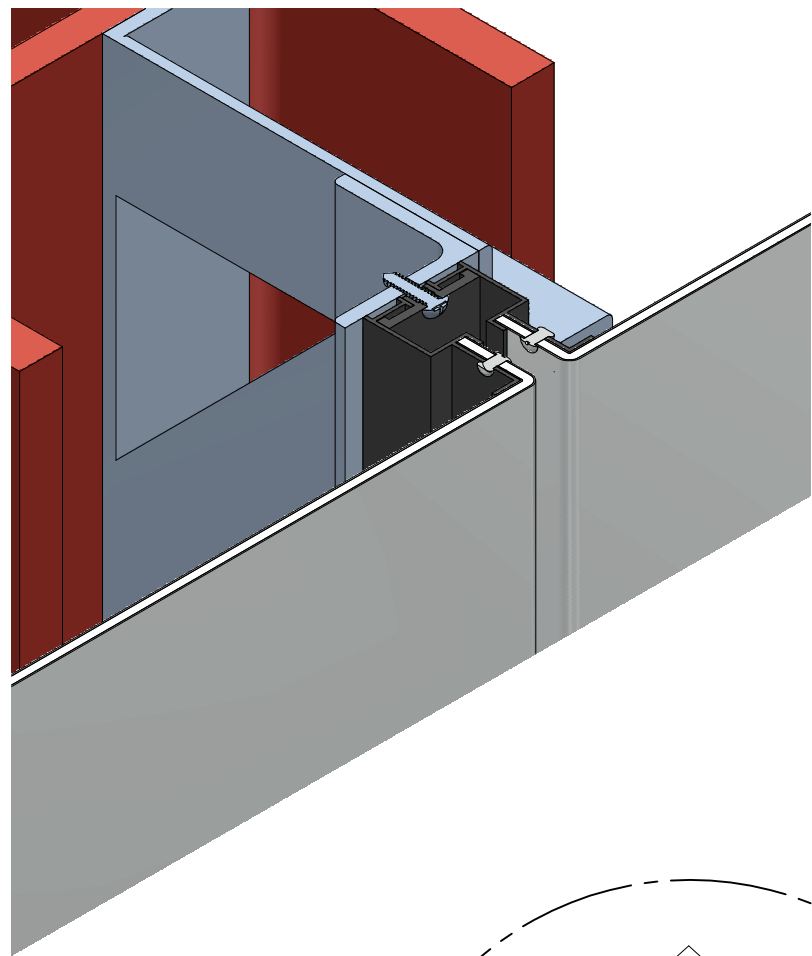
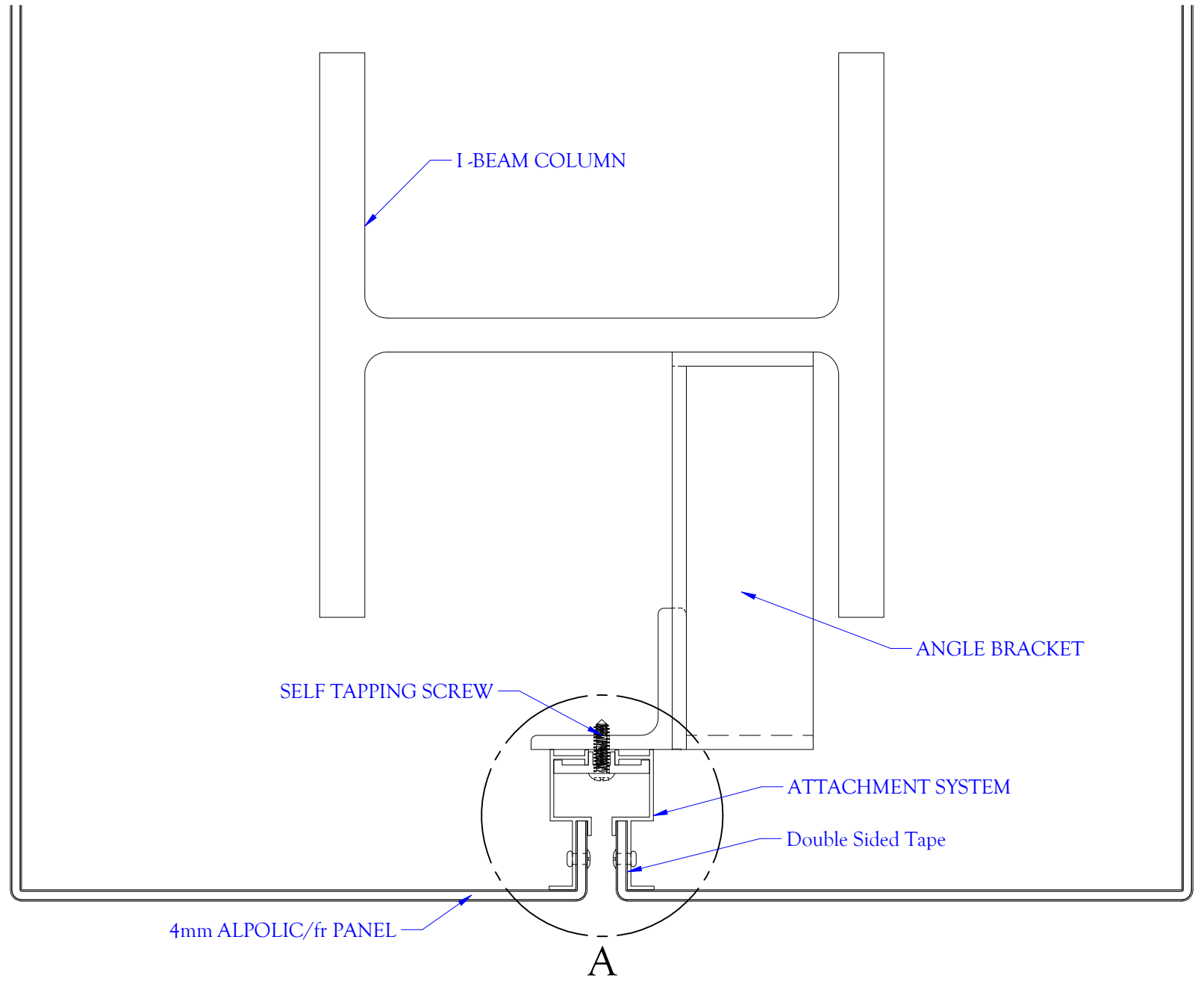


# 4 SQUARE COLUMN DETAIL



DETAIL A



Client



71 Marigold Street  
Revesby NSW 2212  
P: 61 2 8316 5000  
info@networkarchitectural.com.au  
www.networkarchitectural.com.au



**OPEN  
JOINT  
SYSTEM**

Project  
Alpolic Installation Drawings  
Drawing Title  
Square Column Detail

Drafting by Yurich Design Services  
info@yds.net.au  
Drawn BR Checked NJ Scale 1:2  
Date 26/08/2011  
Drawing No. SGI - ALP - OJS1 Revision A