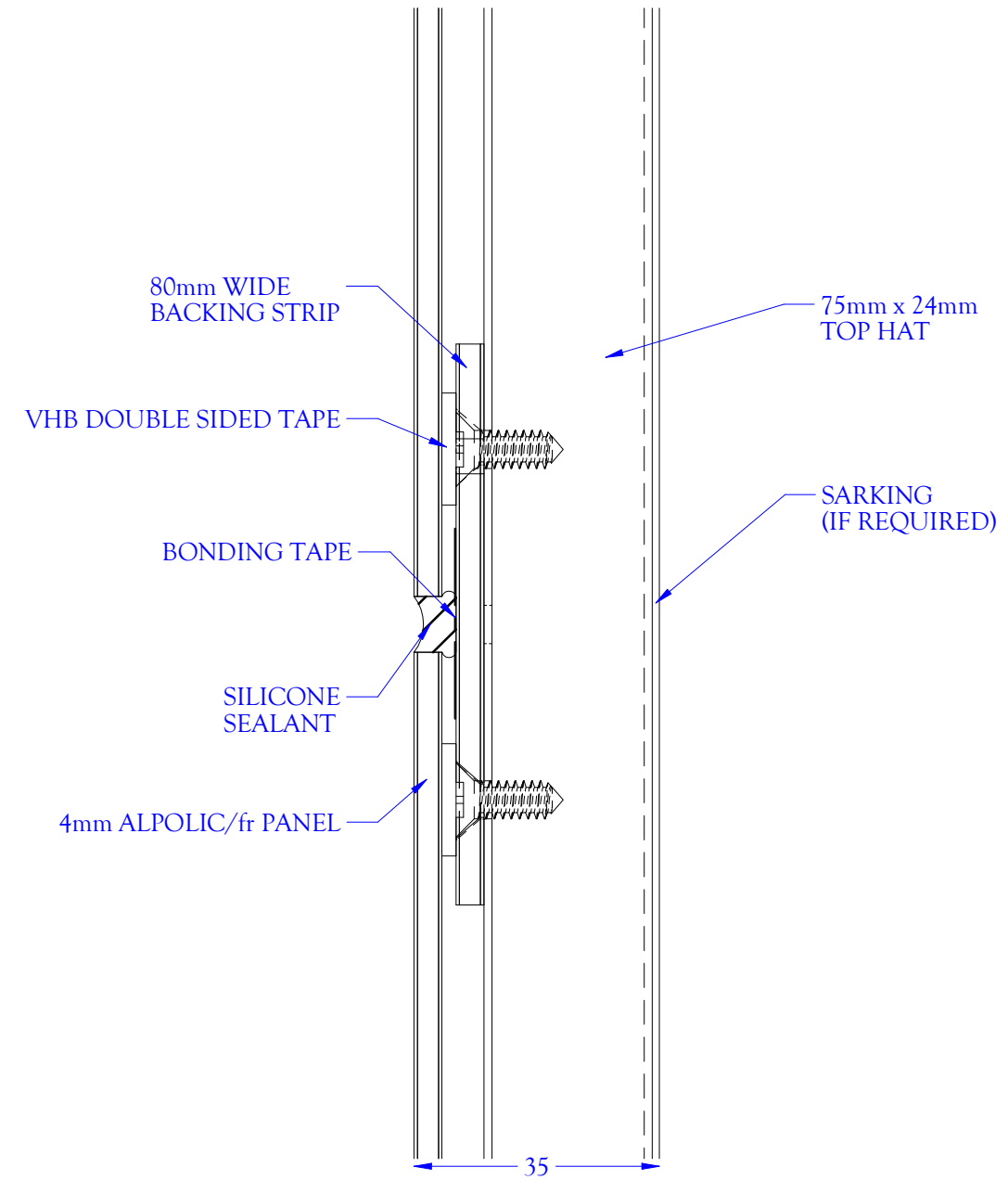
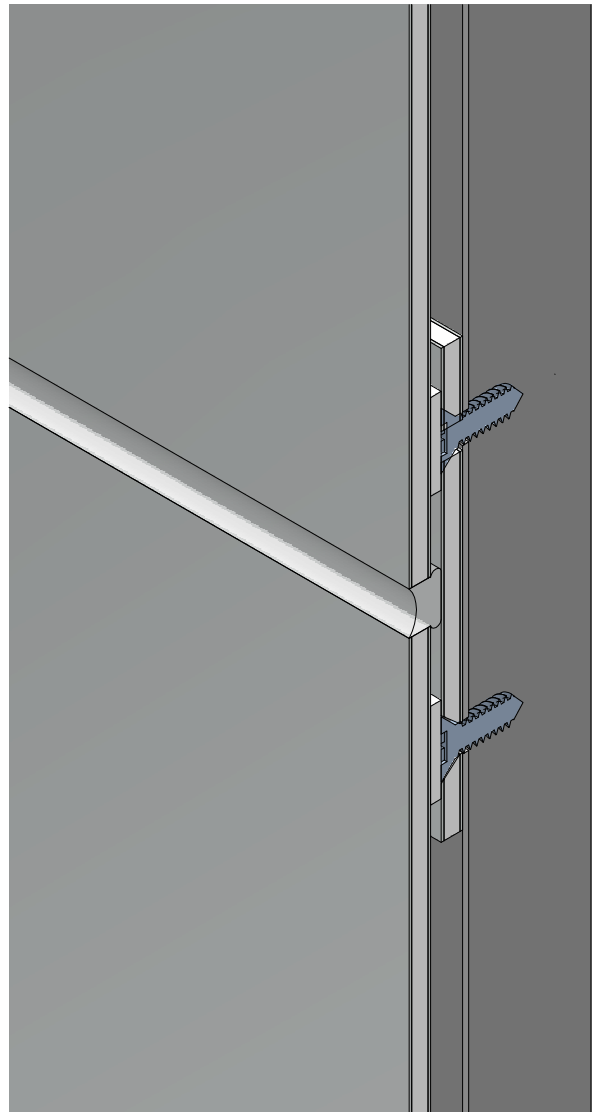


2 HORIZONTAL JOINT DETAIL



**TAPE
FIXED
SYSTEM**

Project
Alpolic Installation Drawings

Drawing Title
Horizontal Joint Detail

Drafting by Yurich Design Services
info@yds.net.au

Drawn BR	Checked NJ	Scale 1:1
Date 26/08/2011		
Drawing No. SGI - ALP - TFS2	Revision A	