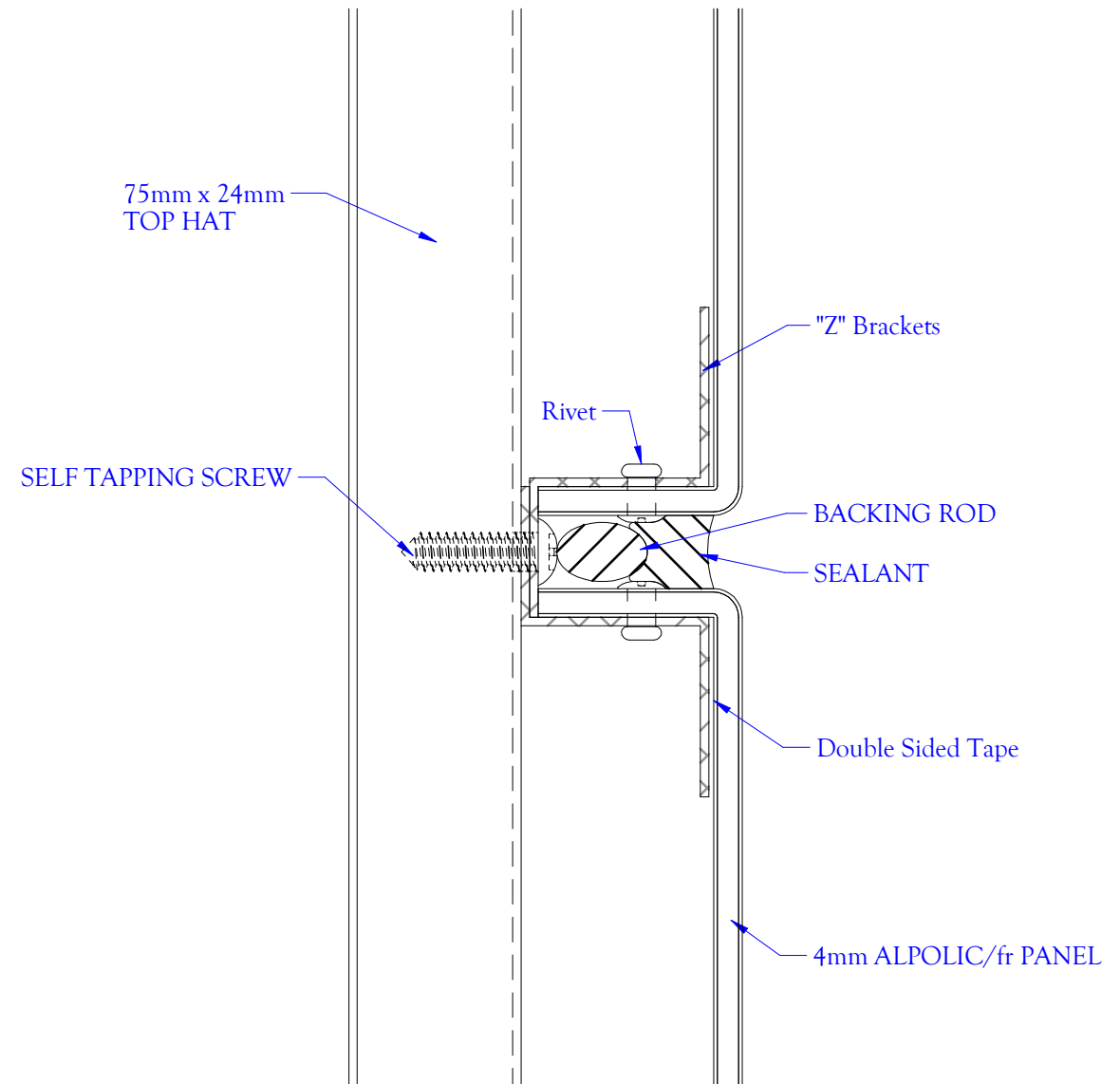
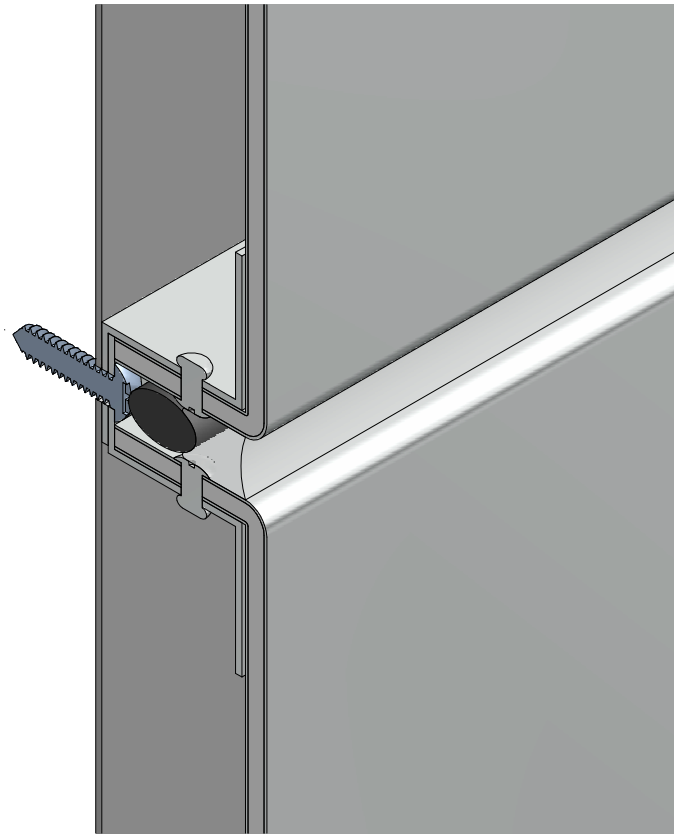


# 2 HORIZONTAL JOINT DETAIL



Client



71 Marigold Street  
 Revesby NSW 2212  
 P: 61 2 8316 5000  
 info@networkarchitectural.com.au  
 www.networkarchitectural.com.au



**CONCEALED  
 CASSETTE  
 SYSTEM**

Project  
 Alpolic Installation Drawings  
 Drawing Title  
 Horizontal Joint Detail

Drafting by Yurich Design Services  
 info@yds.net.au  
 Drawn BR Checked NJ Scale 1:1  
 Date 26/08/2011  
 Drawing No. SGI - ALP - CCS2 Revision A