



CEILING
LIGHTING
AMBIENCE

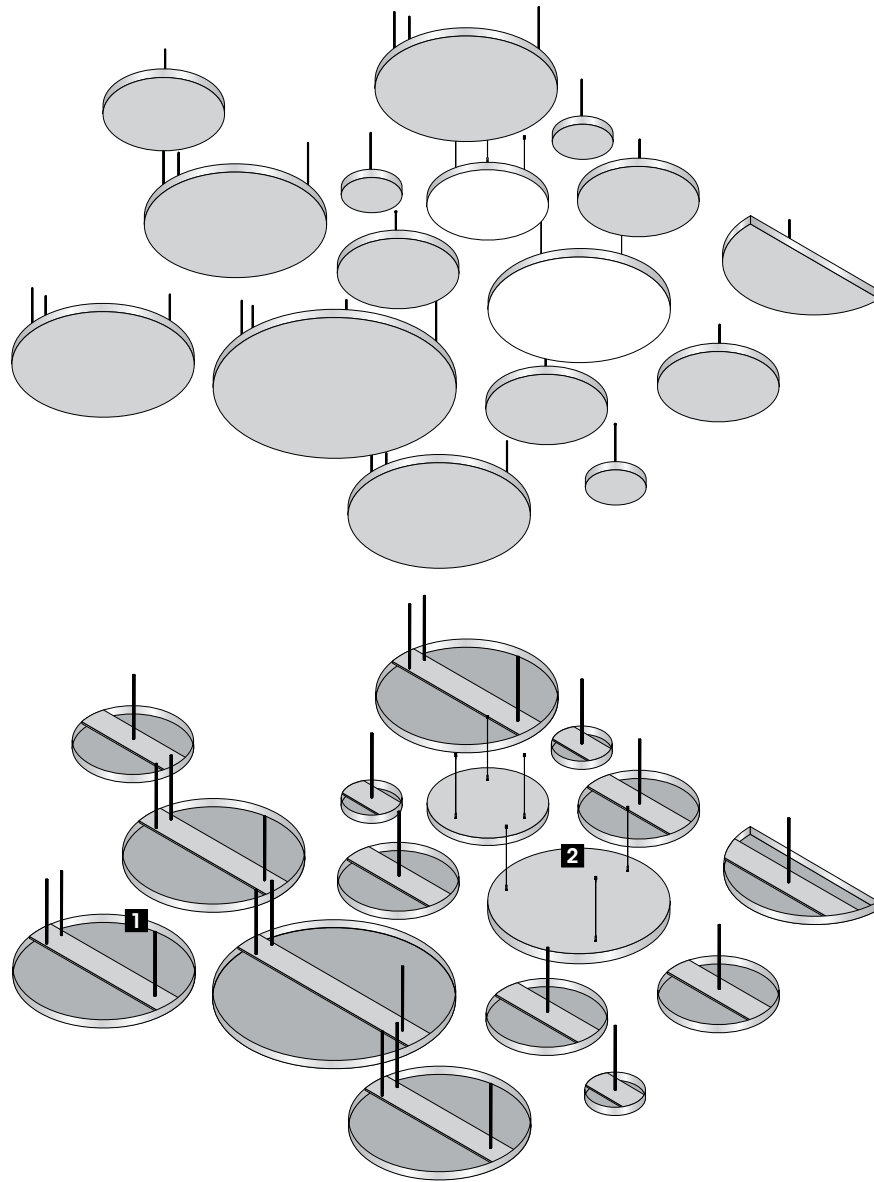


TOMEO

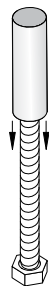
CEILING -LIGHTING-COMBINATION

PRODUCT DATA SHEET

CEILING-LIGHTING-COMBINATION

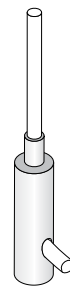


1



Threaded rod with or without white pipe sleeve

2



Cable suspension for LUMEOR

CEILING-LIGHTING-COMBINATION

The esthetic ceiling-lighting combination TOMEO-R integrates itself perfectly in rooms with a particular atmosphere. The filigree ceiling and lighting elements are optimally coordinated with each another and can be designed individually in size, form and colour. The opened system is suitable for rooms with or without cement core activation and integrates discreetly in the ceiling concept functions like acoustic, smoke extractors and sprinklers.

The LUMEO-R LED-illuminated surfaces stand out due to an homogeneous illumination. The luminaire is covered with our tried and tested, high-quality DUROSATIN.

SURFACE

TOMEO-R ceiling elements and LUMEO-R luminaires can all be supplied in any RAL-colours. durlum standard is similar to RAL 9010 and RAL 9016.

PERFORATION AND ACOUSTICS

TOMEO-R can be equipped with various absorption materials, e.g. fleece-clad mineral wool. TOMEO-R also absorbs through non-perforated surfaces.

The ceiling elements can also be supplied in perforated form with acoustic fleece-backed material. The RD-L30 perforation pattern is highly suited to this purpose.

FIRE PERFORMANCE

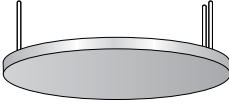

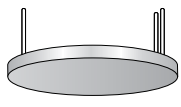




In accordance with ASTM E84 Flame Spread Index for steel is 25 or less and Smoke Developed Index for steel is 50 or less.

GREEN BUILDING

durlum metal panels contribute directly to LEED and other GREEN BUILDING certifications. Typically applicable credits under LEED v4:

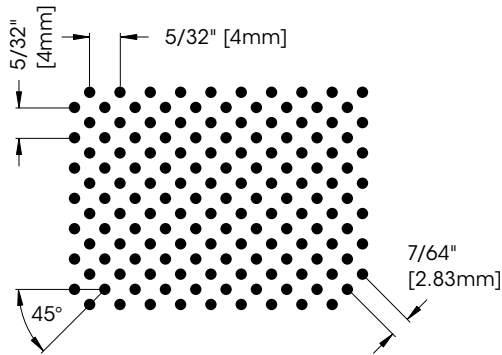
- Recycled Content – post- & pre-consumer info
- VOC Emissions – conformity with VOC requirements
- Acoustic Performance – sound absorption with acoustic fleece
- Environmental Product Declaration – available

DIMENSIONS

TOMEO-R ceiling element	LUMEO-R LED illuminated surfaces
<p>Ø 3' 11 1/4" [1200mm], H = 2 3/8" [60mm]</p> 	<p>Ø 3'-11" [1194mm], H = 2 3/8"+1 3/8" [60 + 35mm]</p> 
<p>Ø 2' 11 3/16" [893mm], H = 2 3/8" [60mm]</p> 	<p>Ø 2'-11 3/16" [894mm], H = 2 3/8"+1 3/8" [60 + 35mm]</p> 
<p>Ø 1' 11 3/8" [593mm], H = 2 3/8" [60mm]</p> 	<p>Ø 1'-11 3/8" [594 mm], H = 2 3/8"+1 3/8" [60 + 35mm]</p> 
<p>Ø 11 9/16" [293mm], H = 2 3/8" [60mm]</p> 	

PERFORATION

Perforation RD-L30



Hole diameter:	1/16" [1.5mm]
Open area:	22.00%
Max. width of perforation:	4'-8 11/16" [1440mm]
Max. plate width:	4'-7 1/8" [1400mm]

INSTALLATION

TOMEO-R can be suspended using cables or installed directly on the raw ceiling or false ceiling using a 1/4" [M6] or 5/16" [M8] threaded rod with pipe sleeve. The system can be installed without the need for wall mountings, but can also be fitted flush to the wall with semi-circular ceiling elements if required.

Please note

Installation must be carried out by qualified and trained staff according to the instructions for installation. These are available as download at www.networkarchitectural.com.au.

TECHNICAL STANDARDS

The parts comply with DIN EN 13964 as well as ASTM C635 and ASTM E1264. Production complies with the TAIM and CISCA guidelines and the durlum works standards and is quality controlled by the TÜV according to ISO 9001:2008 and ISO 14001:2004.

CLEANING

As standard, durlum ceiling panels are made with an electrostatic polyester powder coating, thus providing them with a long-term finish. The powder-coated surface should always be cleaned wearing clean gloves. First clean it with a soft, dry cloth. If dirt cannot be removed by this procedure, the cloth can also be moistened, with the addition of a pH-neutral cleaner [household detergent], if necessary. Contact of the powder coating with both alkaline and acid substances must be avoided. Metallic powder coatings show a particularly sensitive reaction. Due to the risk of a change in hue or effect, for metallic coatings a suitability test must be performed.

MANUFACTURER



durlum Asia Ltd.
1709, 17F Two chinachem
Exchange Square
338 King's Road, North Point
Hong Kong SAR
China

CONTACT



NETWORK ARCHITECTURAL
71 Marigold Street
Revesby NSW 2212

Phone: +61 2 8316 5000
info@networkarchitectural.com.au
networkarchitectural.com.au